



THE ESSENTIALS ²⁰²⁵



Glass
Balcony Partition
Solution



Glass
Cladding
Solution



Glass
Solar shading
Solution



Glass
Canopy
Solution

THE ESSENTIALS ²⁰²⁵

ICARE[®]

We are an industrial engineering and technology company dedicated to building envelopes and structural glass railings.

CLASSIC[®]

DECOR[®]

VARIANCE[®]

Since 1938, our history has been marked by innovations developed for the construction industry. Our expertise in glass facade fastening systems has made us one of the leaders in glass railing systems, particularly with our SABCO range.

CONSTRUCT[®]

We are committed in the sustainable manufacturing of our products to meet all environmental standards. To achieve this, we use clean and reusable processes and raw materials.

SABCO[®]

With the support of our technical design office, SADEV is committed to delivering high-quality products that comply with the strictest industry standards. Every year, we expand our presence in international markets and diversify our product range.

PRIVACY

We believe our success depends on customer satisfaction, this is why we place a strong emphasis on customer service by offering customized products and solutions tailored to their needs. We aim to become a trusted partner for the most complex glass construction projects by providing innovative and customized solutions.

OSF[®]

ROMEO^{CARE}[®]

Our vision is to revolutionize the glass construction industry through our commitment to innovation, sustainability, quality, and customer satisfaction.

SWIMSIDE[®]

CONTENT:

BUILDING ENVELOP

P 5/8 - Glass sun shading concept **Icare**[®]

P 9/12 - Glass cladding system **Variance**[®] C **New**

P 13/14 - Glass cladding system **Variance**[®] P

P 15/16 - Glass Canopy **New**

P 17 GUARDRAIL

P 17/18 - Balcony partition **Privacy** **New**

P 19/20 - High performance side profile **7018S** **New**

P 21/22 - Grooved railing **7032** **New**

P 23/24 - Tools **Roméo**[®] **New**



SOLAR SHADING SOLUTIONS FOR HIGH-PERFORMANCE ENERGY BUILDINGS :



Icare allows buildings' **thermal comfort optimisation** and **energy performance**, while preserving **natural light**. Adding **photovoltaic panels** provides a solution for **passive or even positive energy buildings** meeting current standards (such as RE2020)..



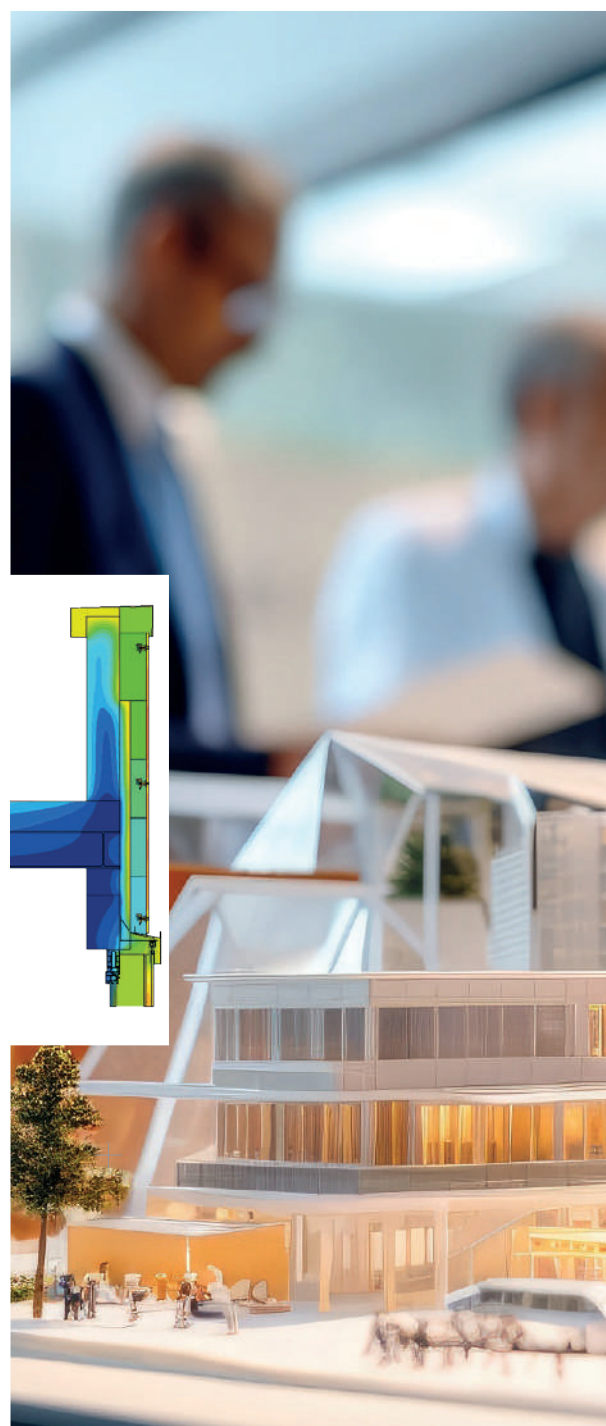
Our expertise at your service for customized solutions

Our **engineering team** can help you with the **adaptation and/or development of custom solutions** that are perfectly suited to your technical, aesthetic and sustainability needs.

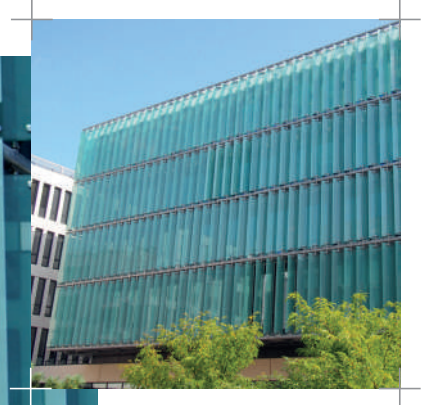
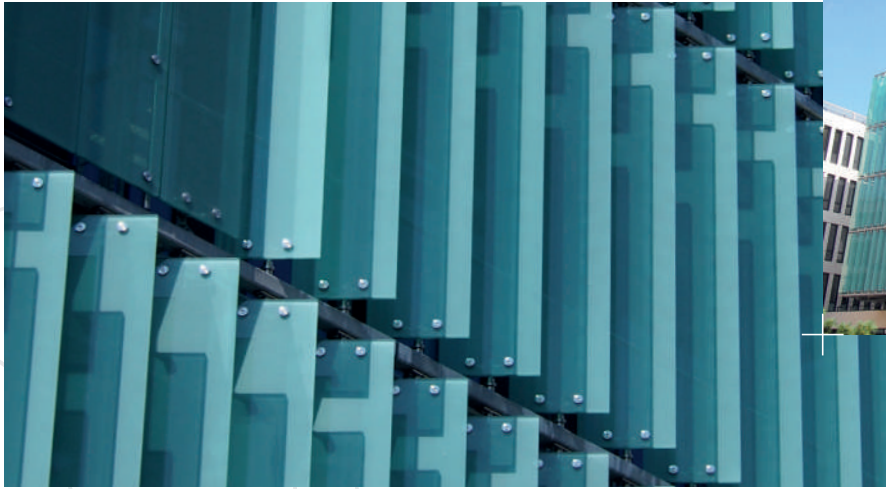


Multiple design solutions for an architectural difference

Our solutions combined with glass offer infinite possibilities for projects from the **simplest to the most complex**, with **horizontal or vertical, adjustable or fixed, drilled or clamped, straight or angled** and even **motorised orientations**.



REALISATIONS



L'UNIVERSITÉ DES QUAIS - LYON :
Rotating vertical solar shading system



LES JARDIN DU LOUP – LYON :
Horizontal solar shading system



SHOPPING CENTER 3 FONTAINES - CERGY :
Dichroic glass sun shading system

OUR KNOW-HOW



Our engineers ensure the viability of our solutions through several checks, including **design, calculations and experimental laboratory tests** (static, dynamic, cycles, durability, etc.). These controls are carried out in our in-house laboratory as well as with certified laboratories.

Our teams guide you from the **concept stage** of your projects to on-site installation through **the training of your teams**.

This expertise also enables us to assist you with **Technical Experimental Assessment** procedures, which we can fully carry out.



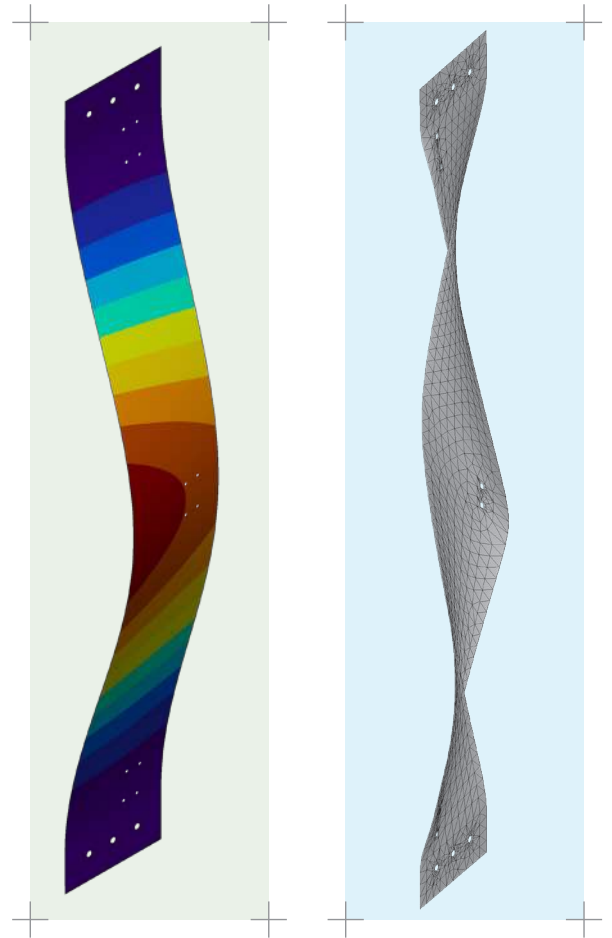
TECHNICAL ADVANTAGES

- | Thermal comfort
- | Regulated natural light
- | Horizontal and vertical installation possible
- | Drilled or clamped solution
- | Architectural flexibility
- | Meets RE2020 requirements for improved energy performance



SADEV EXPERTISE

- | Customisation
- | Full support
- | Guaranteed reliability



Part developed for the supermarket project at **La Croix Valmer**

REALISATIONS



IMREDD - NICE :

Vertical and horizontal sun shading system with important depth glazings




CRÉDIT MUTUEL DE NANTES :

Motorised and silkscreen printed glass solar shading



SUPERMARKET - CROIX VALMER :

Vertical solar shading for large glazings



Revolutionary undrilled cladding system compatible with photovoltaic glass

The Variance range is a glass cladding solution, with a patented fastening system for facades covering of new buildings or those undergoing renovation.




BREVET INNOVATION

Variance is a patented system that allows photovoltaic glass to be installed easily and efficiently on all types of new or renovated buildings.
Patents n°FR3133870 et n°FR3128725.

This product has been designed to meet the regulatory requirements of the new **RE2020** standard




Reducing energy consumption



Variance®C combines energy performance (provided by the insulation materials selected) with the advantages of glass. This solution is the perfect answer to demands for **external thermal insulation (ETI)** in both **new-build and renovation projects**.




Improving thermal comfort



Variance®C ensures a **ventilated air gap** between the insulation and the façade, protecting against solar radiation and reducing the risk of thermal bridging.



Reducing the carbon impact of buildings



Variance®C is manufactured using **low-carbon processes** and **100% recyclable materials** (aluminium and stainless steel). The durability and ease of maintenance of the glass enable the facade to last longer.

sadev.com

Download our
Variance C
brochure



DURABILITY ET INNOVATION



The durability and ease of maintenance of glass extend the lifespan of the facade.

Our Variance solution is designed to easily integrate printed, lacquered, or photovoltaic glass. It provides a simple implementation solution, facilitating external insulation for passive constructions.

Variance®C is manufactured using low-carbon processes through European supply chains, with 100% recyclable materials (aluminum and stainless steel).



SADEV COMMITTED TO SUSTAINABILITY AND INNOVATION

- **Impressive energy performance** depending on the glass and insulation chosen (heat retention in winter and insulation against high temperatures in summer)
- **Comply with new regulations** such as RE2020
- **Perfectly suited** to new build and renovation projects
- **Complementary to External Thermal Insulation** solutions
- A **100% recyclable** product made from **recycled materials**



FDES available on sadev.com 

AN OPTIMAL AND DISCREET DESIGN



A easy and efficient set-up for a reduced installation time.

Pre-assembly in the workshop is possible, optimizing crane time. No gluing or drying time necessary. **An easy dismantling system** guarantees product longevity.



TECHNICAL ADVANTAGES

On-site time saving: thanks to pre-assembly of the fasteners in the workshop, optimizing installation time (no gluing or drying time) and crane usage.

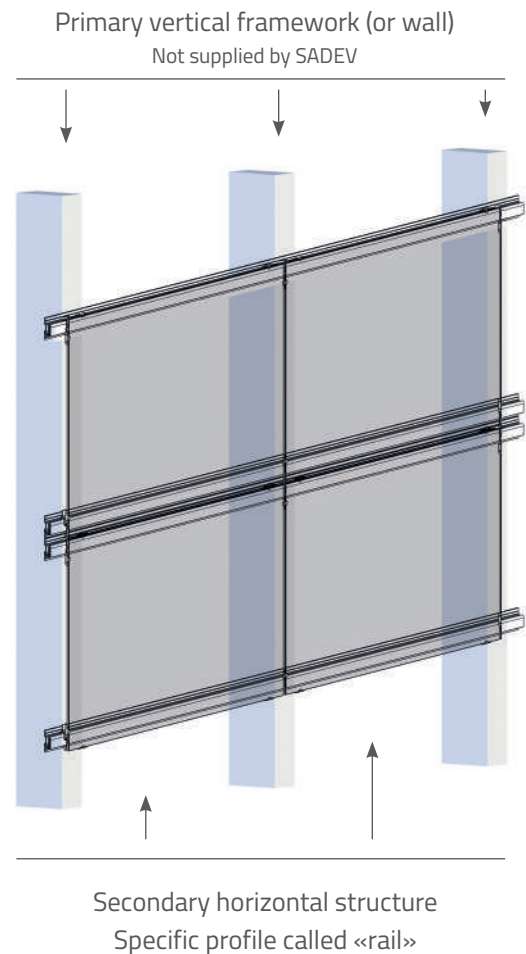
Easy installation without damaging thermal insulation, with real complementarity

Easy maintenance for upkeep and replacement of facings

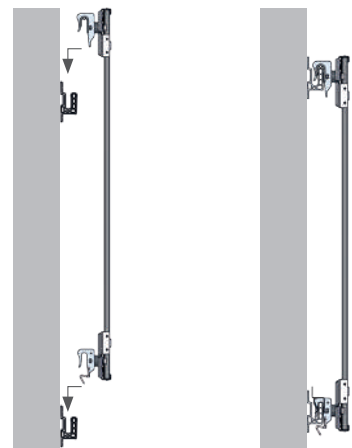
An easy dismantling thanks to a clip

Complies with fire regulations, with fragmentation blades

Tested in accordance with CSTB specifications 3574 V2 using tempered glass from 6 mm to 10 mm, as well as 6.6 and 8.8 mm laminated glass



Variance® system consists of hooks fixed to rails for easy and effective glass cladding :



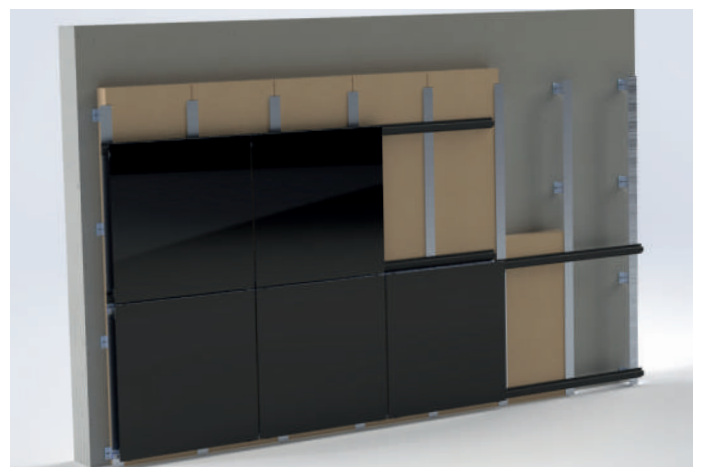
Hook fastening system on railings



ARCHITECTURAL ADVANTAGES

- Multiple design and architectural possibilities**, thanks to the assets of glass (shapes, sizes, finishes, prints, etc.)
- Possibility to combine sizes and shapes** on the same facade
- Thinner glass without drilling** for a more stylish and economical design
- A fastening system placed in the corner** for an invisible fixing solution
- Compatible with photovoltaic glass**, coated glass, silk-screen glass...
- Minimalist expansion joints** for a greater discretion

The only glass cladding system on the market allowing **reuse of glass**.



Reference exemple for Variance C:

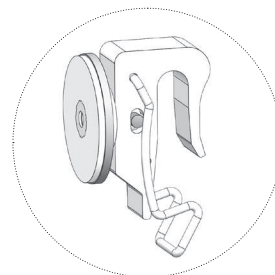
REFERENCE	Description	Glass type
VAC1-PG-6.6	Left weight hook Variance C	6.6

VARIANCE® P

Rediscover the drilled glass cladding system **Variance® P**

The Variance range is a glass cladding solution, its patented fastening system can be installed on both new buildings or renovation projects.

With a wide range of performance options and a discreet fastening system, thanks to a customizable cap for an optimal finish!



Insert the ring and screw into the countersunk hole in the panel, then tighten with the hook.



Insert the cap



Hang your glass panels on the rails.



Insert the clip to lock the panel horizontally.

sadev.com

Download our **Variance P** brochure



Reference example for Variance P :

REFERENCE	Description	Glass type
VAP1-P-6.6	Weight hook Variance P	6.6

PERFORMANCE AND DESIGN



RENOVATION OF PARISTECH BUILDING - Paris



COMPATIBLE Laminated glass / Monolithic glass



INSTALLATION ADVANTAGES

- Fasteners installation **on glass in concealed time** (Site / workshop)
- Hoisting beam required only for **glass fixing**
- Craning time **optimisation**
- Automatic glass securing

CANOOPY

ELEGANT AND STYLISH CANOPIES

Transparency choice

Our glass solutions allow you to maintain natural light while providing protection against the elements. Our canopies offer a durable solution with multiple aesthetic options to reinvent your entrances..

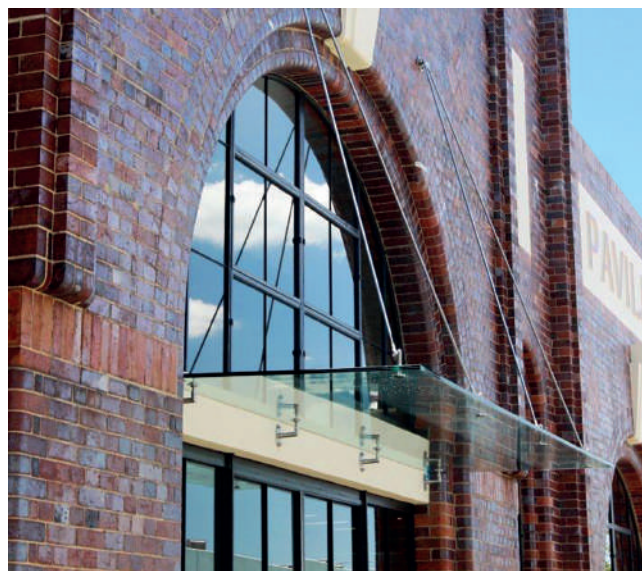


ARCADE :

For single-glazed canopies
2700 x 2000 mm with 4 points
(2 tension rods) or
3400 x 2000 mm with 6 points (3
tension rods)

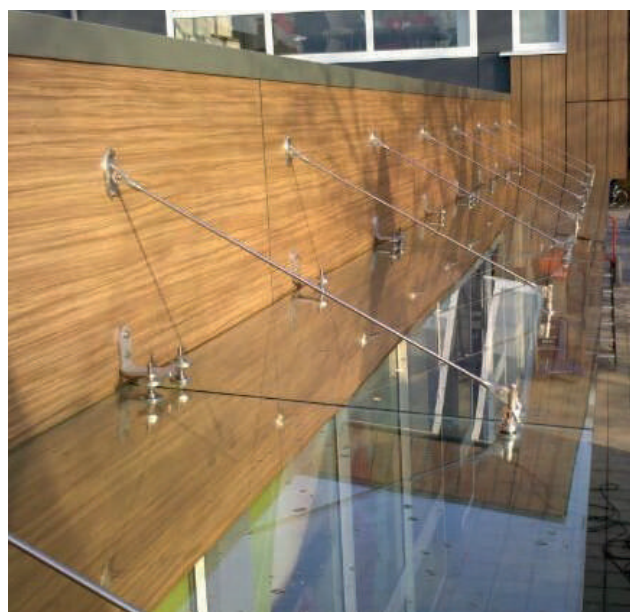
PLAZZA :

For more complex canopies with
important lengths and several glass
panels side by side
Maximum dimensions of one panel:
2000 mm x 2000 mm



COROLE :

Design solution : Supported by only
one single point
Maximal glass dimensions : 2600 mm
1400 mm



Our new clamp
canopy solution:

ARCADE C :

- More economical,
- Easy to install
- Glass depth 1100mm
- Compatible all type
of support



MADE TO MEASURE CANOPY EXEMPLE
Sadev Engineering

sadev.com
Download our
catalogue **Classic**



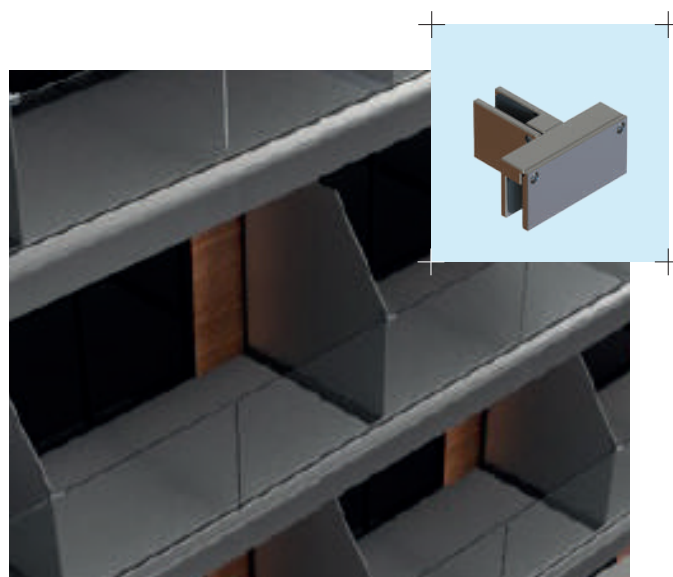
BALCONY PARTITION SOLUTION

Privacy is an innovative, lightweight, discreet and ready-to-use system.

It complies with the FFPV's rules for the design and installation of tempered glass installations. .



GLASS BALCONY PARTITION WITH RAILING SYSTEM AND SIDE CLAMP **and connection solution to the guardrail in between glazings**



GLASS BALCONY PARTITION WITH POINT FIXING SYSTEM **and top connection system to glass balustrade**



TECHNICAL ADVANTAGES

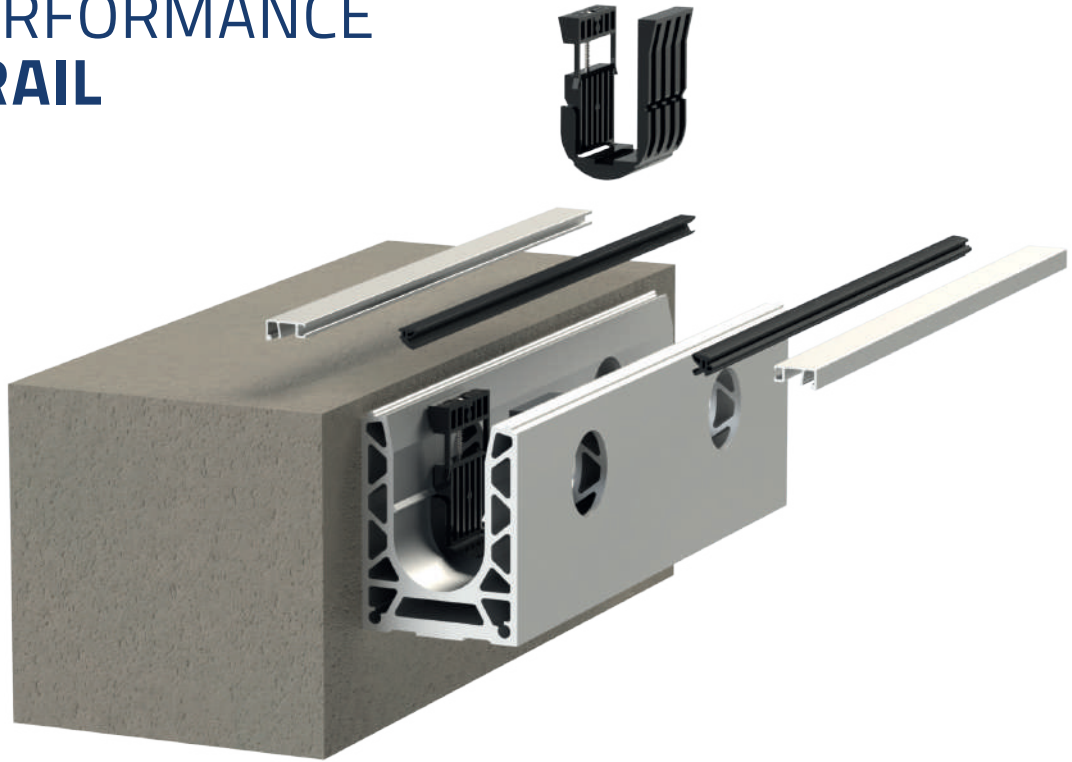
- | **Glass thickness compatibility** from 6 to 25 mm.
- | **Complies with fire resistance** regulations and firemen use
- | **Top / bottom or side fixing system**
- | **Customizable finishes** (Alu, inox, RAL...)
- | **Durable and easy upkeep solution** for longer product life cycle
- | **Design and discreet solutions**
- | **Horizontal adjustment system** to facilitate installation



GLASS BALCONY PARTITION WITH POINT FIXING SYSTEM **and connection solution to the guardrail in between glazings**



HIGH PERFORMANCE GUARDRAIL SOLUTION



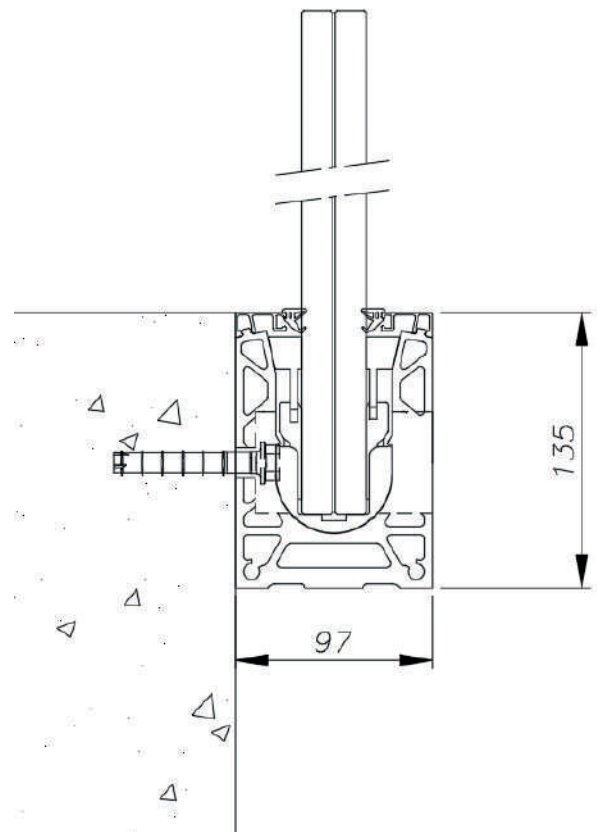
New high-performance side profile in 3KN (SLS) with 1212 Sentry-glass tempered glass (tested and approved in accordance with CSTB specification 3034)

Perfect for your stadium railing systems, train station, etc. and/or those requiring a **important height (e.g. top floor terrace)**



TECHNICAL ADVANTAGES

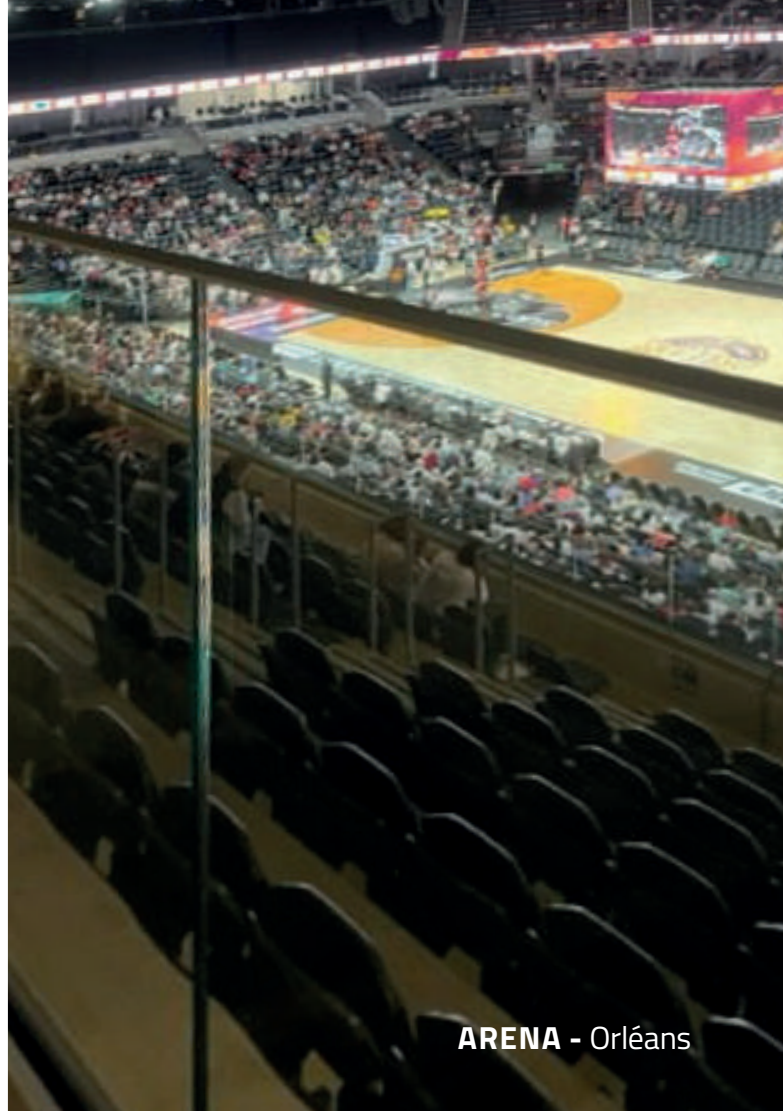
- I** - Easy railing installation and adjustment
- I** - Easy glass adjustment
- I** - Installation possible with an access only from one side of the glass



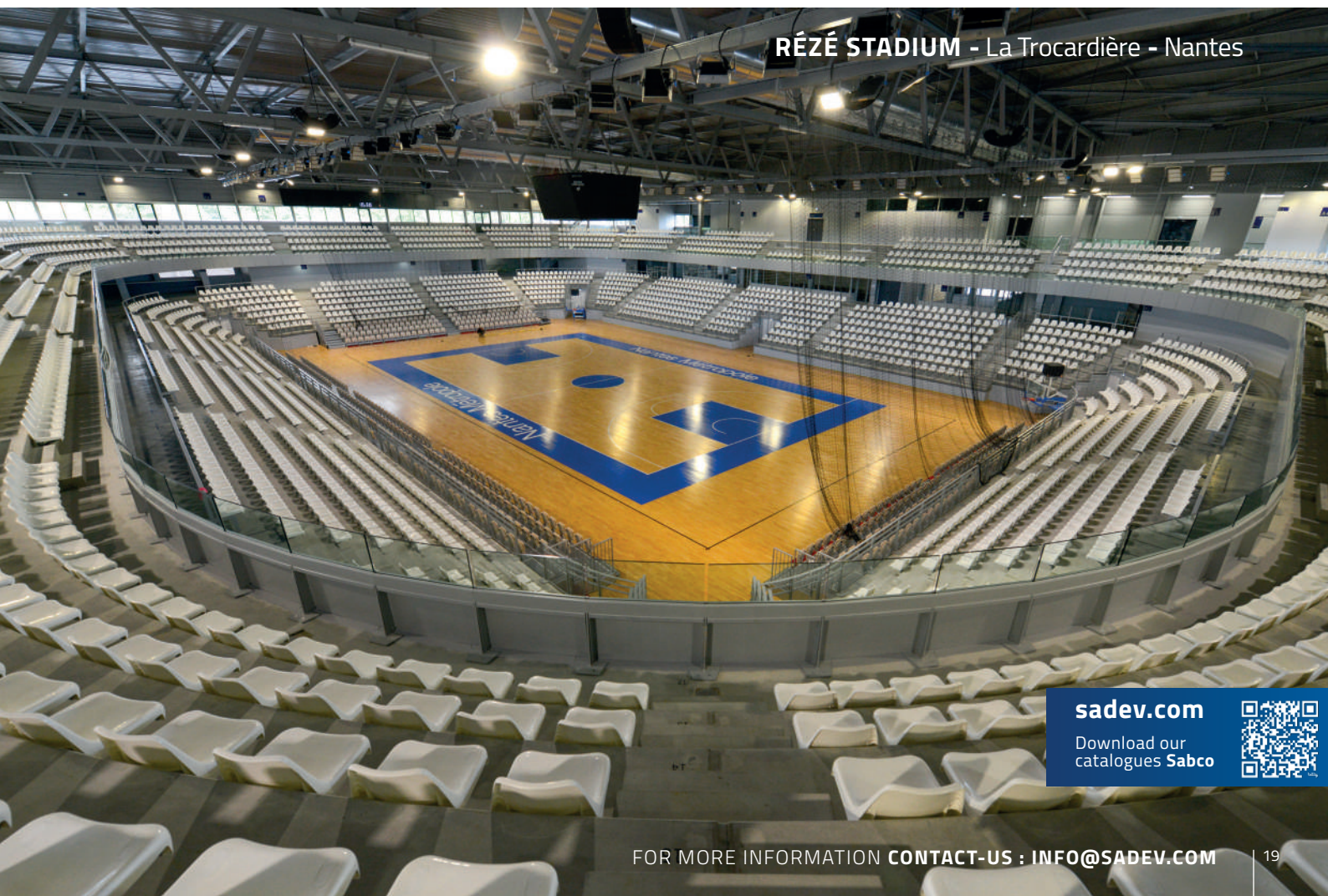
REALISATIONS



HIPPODROME LONGCHAMPS - Paris



ARENA - Orléans



RÉZÉ STADIUM - La Trocardière - Nantes

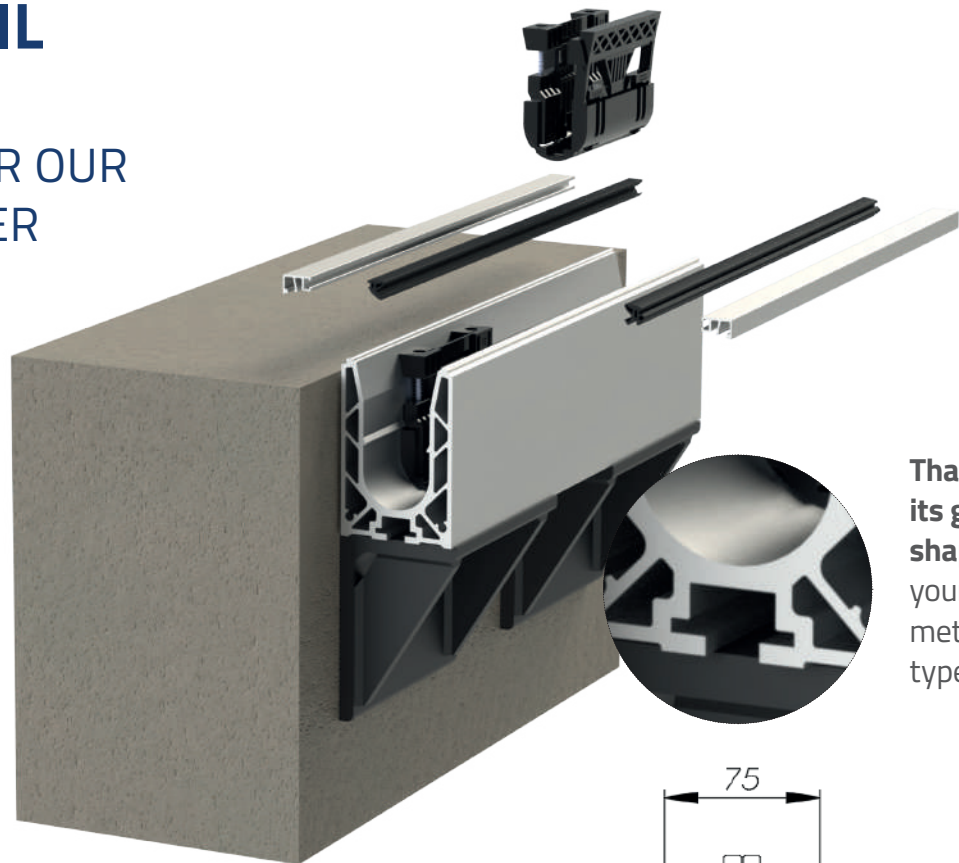
sadev.com

Download our catalogues **Sabco**



GUARDRAIL SOLUTION

DESIGNED FOR OUR METALWORKER PARTNERS



Thanks to its grooved shape, fix yourself on any metal support type

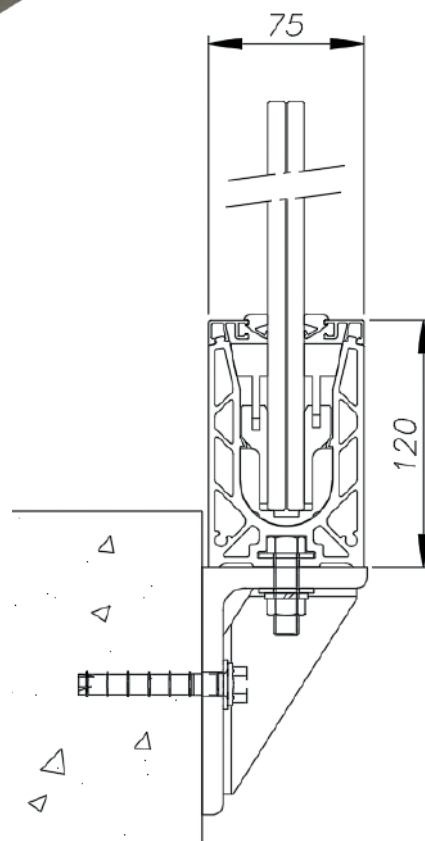
New grooved rail

- **Tightly adjust** your fasteners and overcome tolerance errors easily
- **Optimize** your rail lengths and reduce waste



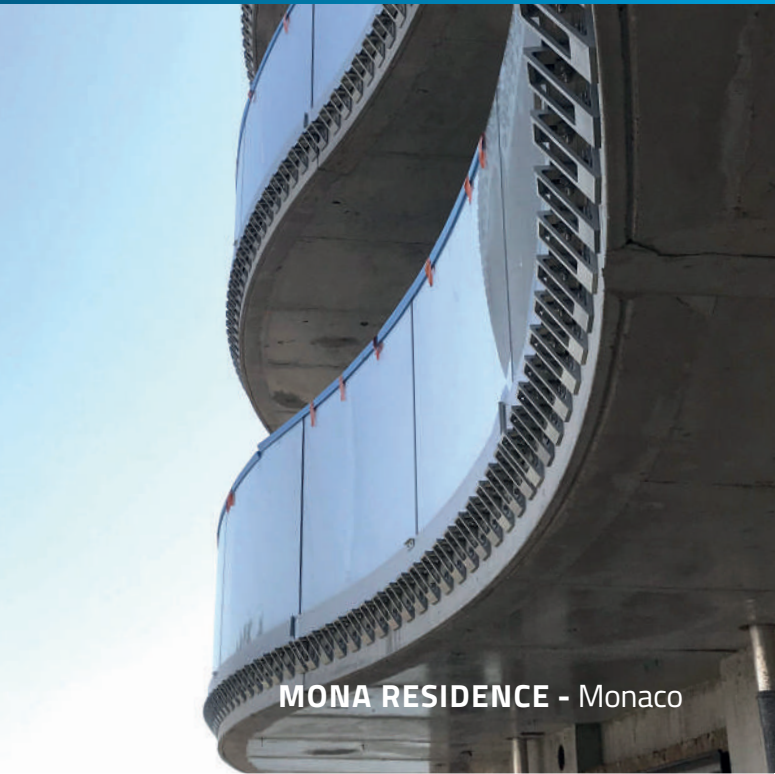
TECHNICAL ADVANTAGES

- **Easy railing installation and adjustment**
- **Easy glass adjustment**
- **Installation possible with an access only from one side of the glass**





REALISATIONS



MONA RESIDENCE - Monaco



STAIR - Montrouge



JAVEL TRAINSTATION - Paris

[sadev.com](https://www.sadev.com)

Download our catalogues **Sabco**



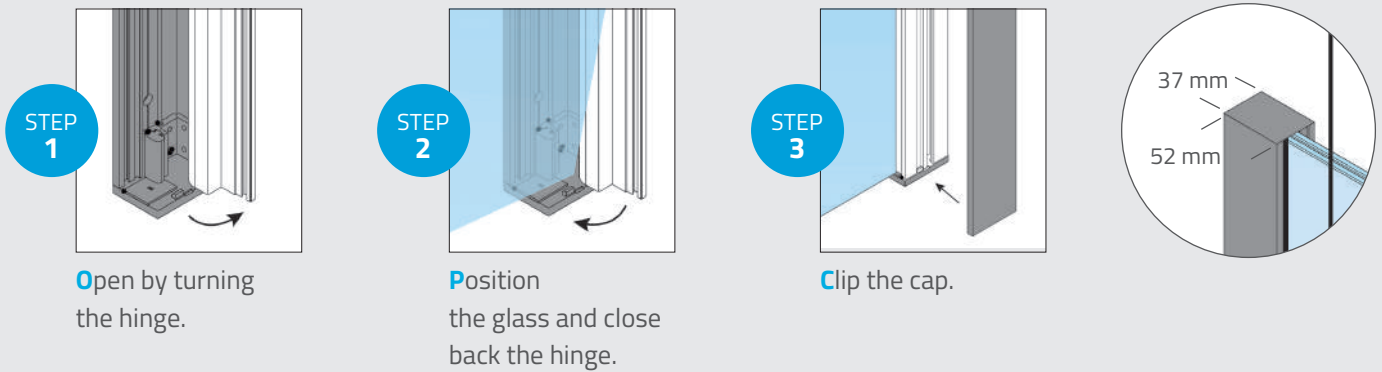
FRENCH BALCONY RAILING SOLUTION

Pre-assembled system for easy installation
in 3 steps OPC® with a single operator

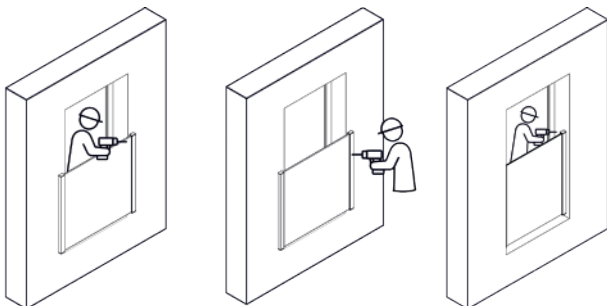
Open Position Clip

OPC® SYSTEM


Its locking system facilitates glass panels install.



Top and side mounting from inside or outside
on any type of support (wood, aluminium, PVC, concrete...)



TECHNICAL ADVANTAGES

- The only system validated with 55/2 tempered HST glass (up to 1200mm long) for ever more economical solutions
- A discreet solution with a compact size
- A 100% recyclable product with low carbon impact 
- Up to 3000 m long without intermediate structure
- Supplied as a ready-to-install kit or in long length for storage

sadev.com

Download our
Romeo
brochure





Be independant with the new drilling and gasket tools.

These **ROMEO** tools will make it easier to prepare your rails in the workshop. An essential guide for preparation time saving and guaranteed drilling compliance.



GASKET TOOL



- **Simplify gasket installation and removal** thanks to the different connectors

- **Also compatible with the Sabco range**



DRILLING TOOL

- **Make your preparation easier** and **guarantee your rails drillings** in the workshop

- **An essential guide** to save preparation time and guaranteed drilling conformity.



FDES available on [sadev.com](https://www.sadev.com) 



VARIANCE CLASSIC DECOR ICARE CONSTRUCT
 PRIVACY OSF ROMEO SABCO
 SWIMSIDE



DOWNLOAD OUR CATALOGUES

and discover all our different ranges



Member of
SIMONSWERK GROUP

Tél. +33(0) 4 50 08 39 00 | info@sadev.com
 76, chemin des Poses - 74330 Poisy (France)

sadev.com
 suivez-nous sur

