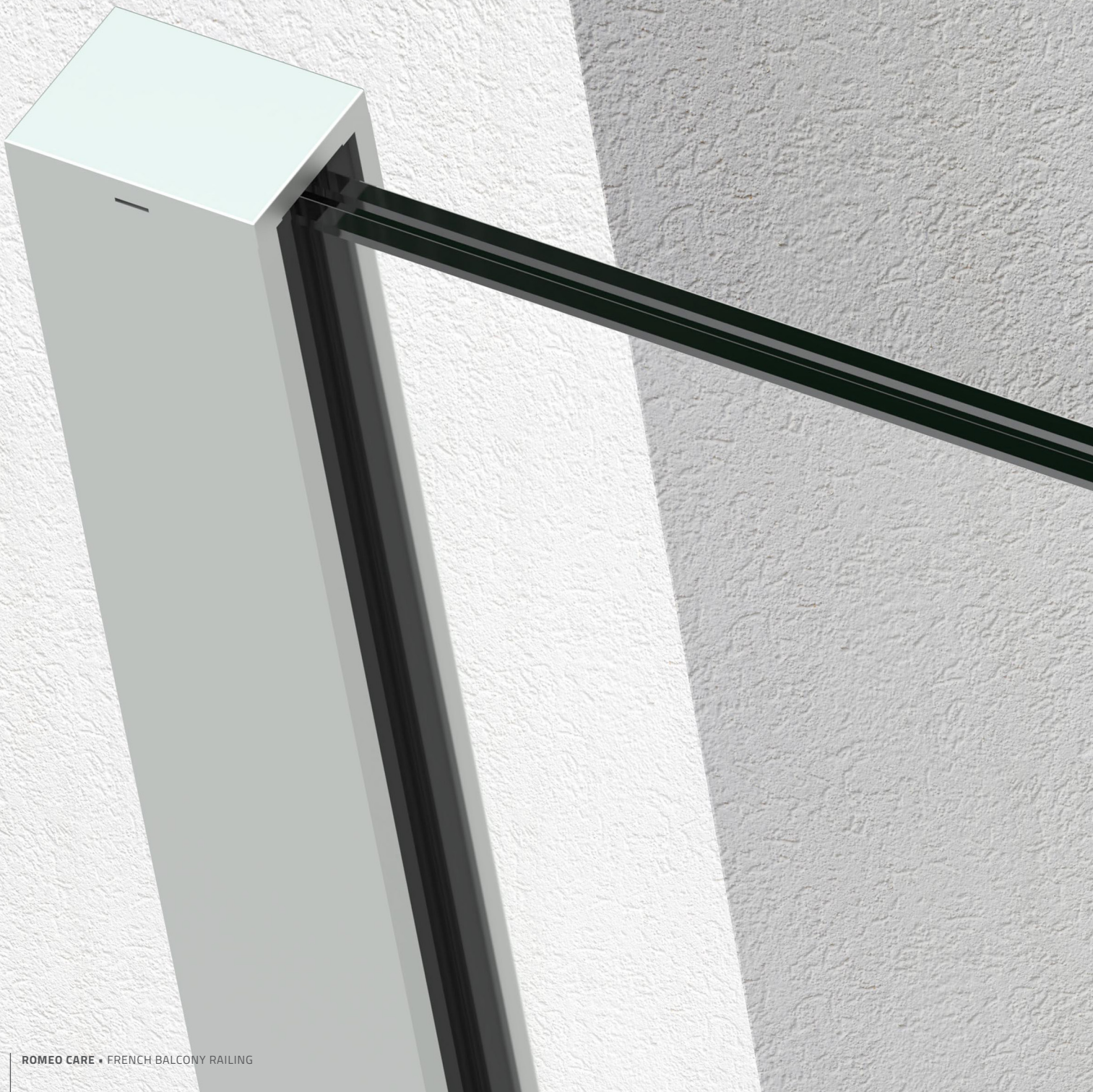


OUR FRENCH BALCONY RAILING WITH ITS 1 CLIC INSTALLATION





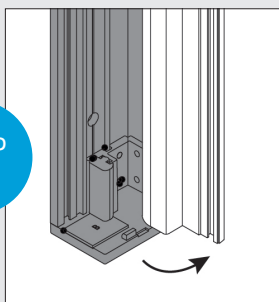
A SINGLE OPERATOR TO INSTALL YOUR FRENCH BALCONY

Open
Position
Clip

OPC[®] SYSTEM

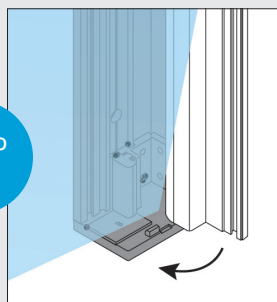
Its locking system make glass panels installation easier

STEP 1



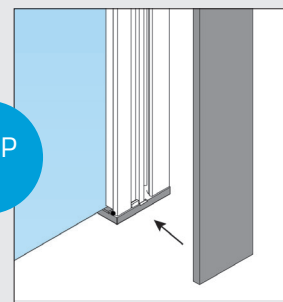
Open by turning the movable part

STEP 2



Place the glass and close back the movable part

STEP 3

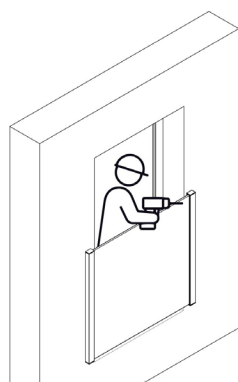


Clip the cover

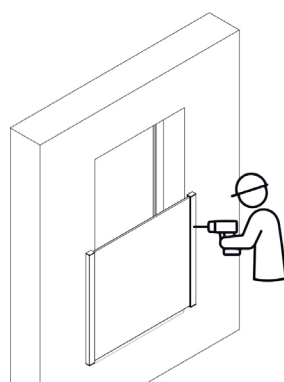
ALL INSTALLATION TYPES WITH ONLY ONE PRODUCT

PRE-ASSEMBLED

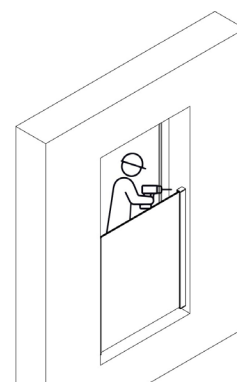
READY TO INSTALL IN 1 CLICK !



TOP MOUNTING
From inside



TOP MOUNTING
From outside



SIDE MOUNTING
From inside and outside



Only one operator for top and side mounting.

Only 5 fastenings per profile.

LOW ECOLOGICAL IMPACT

HIGH PERFORMANCE GUARDRAIL

Romeo allows maximizing solar gain and enjoying a perfectly clear view in complete safety.

only system validated with a 5.5 hst tempered glass

- LOW VISUAL DISTORTION
- LOW CARBON IMPACT
- LIGHT AND EASY TO INSTALL

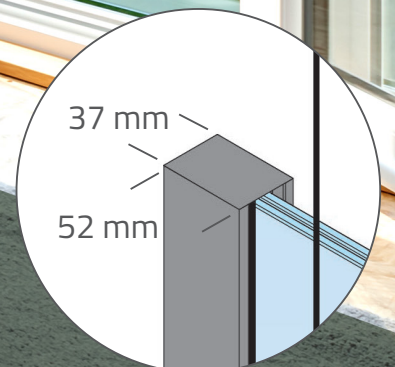


EDP available on sadev.com



ROMEO is a **100% RECYCLABLE** product

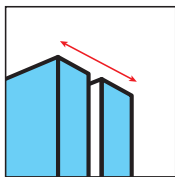
More info on sadev.com



Compact size

A SOLUTION READY TO USE

GLASS THICKNESS



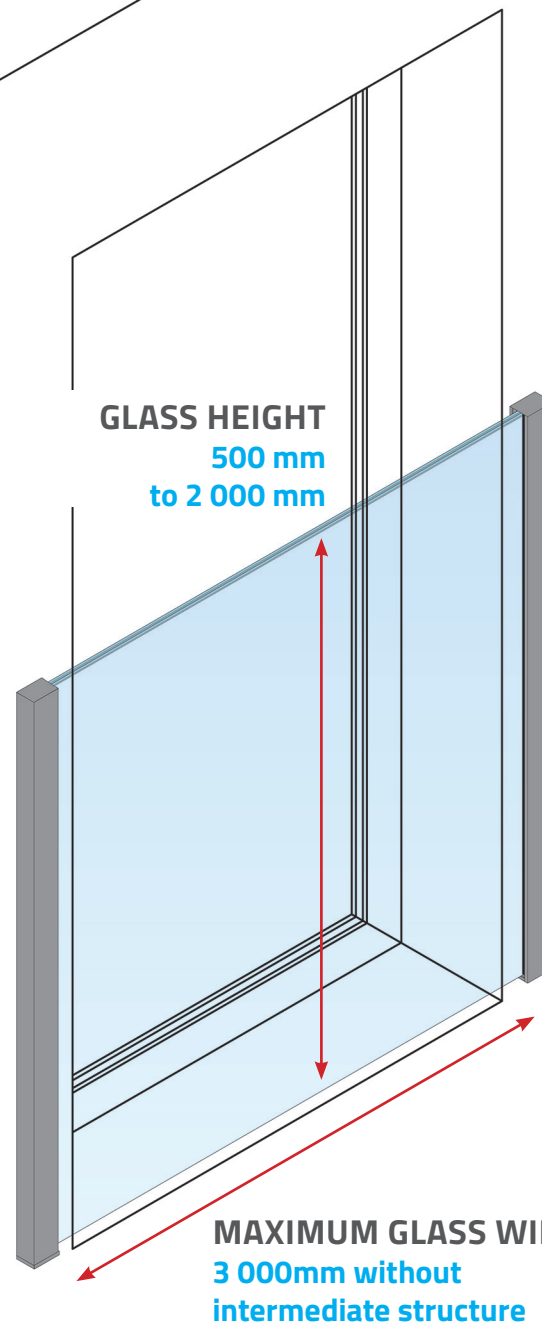
From 5.5/2
to 10.10/4

*Consult p11/12 to select glass,
tested and validated to suit
your configuration.*

- Available in drilled and non-drilled kit
- 6.2 M LENGTH AVAILABLE FOR STORAGE
- STANDARD KIT 1000 MM AND 1100 MM

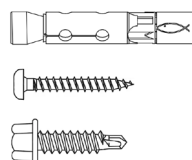
We offer **customized kit for specific glass height** and specific finish.

For any demand, please contact us.



INSTALLATION ON ALL SUPPORT

- Wood carpentry
- PVC carpentry
- Aluminum carpentry
- Concrete



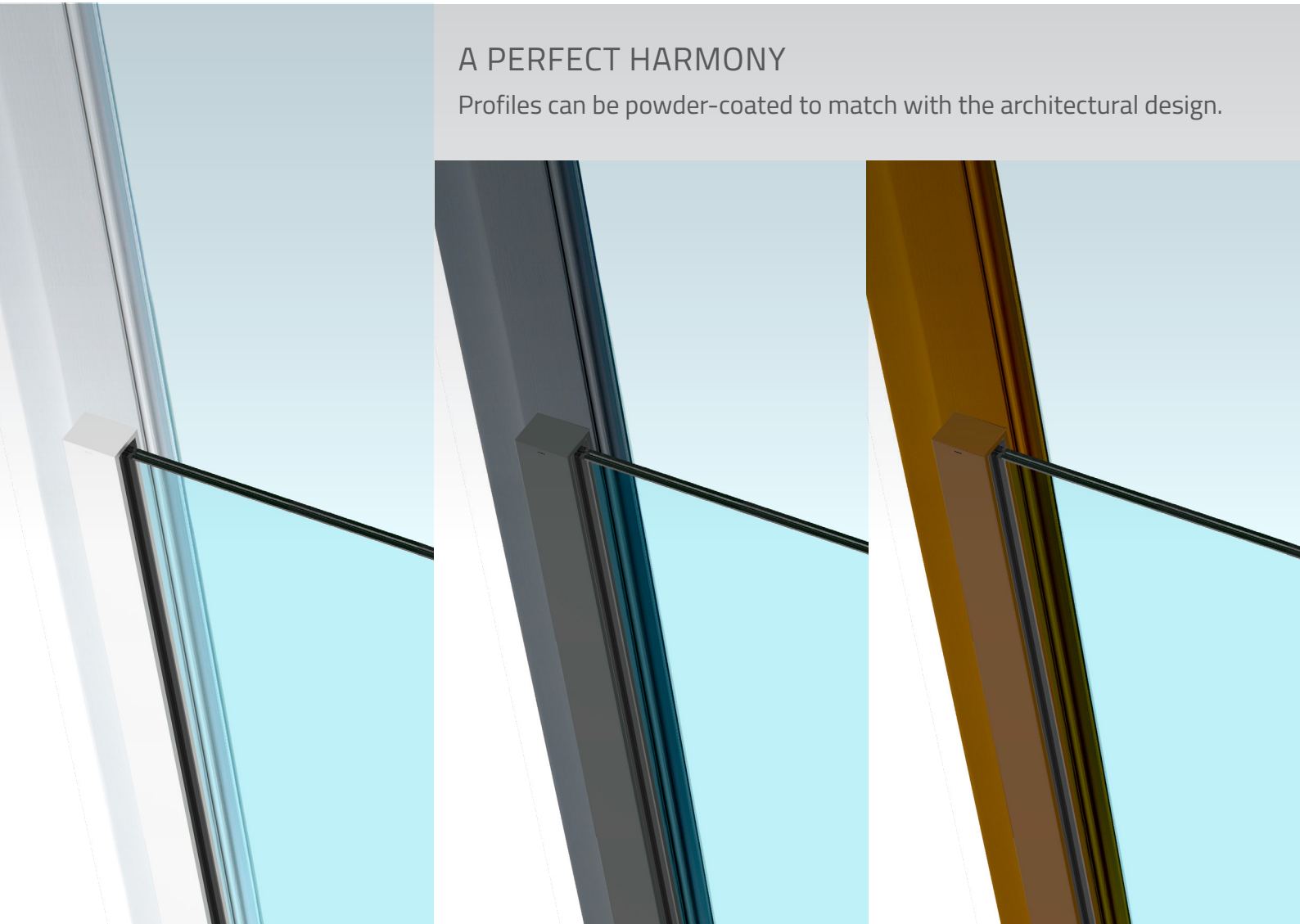
Choose **the fasteners that match your support.**

Discover our fixings on p19

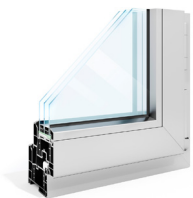
FINISHES

A PERFECT HARMONY

Profiles can be powder-coated to match with the architectural design.



Paint your profiles
on your own



CODE 00:
RAW
ALUMINUM

Choose the finish that best matches the facade or window frame.



CODE 01:
NATURAL
ANODIZED
ALUMINUM



CODE 03W:
WHITE 9016 SATIN
(30% gloss)



CODE 03G:
GREY 7016 SATIN
(30% gloss)



CODE 03:
RAL
(Color on request)

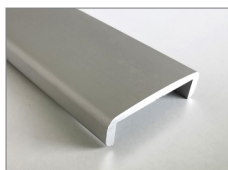
HANDRAIL



CHOOSE YOUR STYLE

Keep an elegant and successful design of french balcony guardrail by opting for a handrail that will bring contrast to your project.

In addition to the aesthetic side, **its main function** remains **the glass top protection** which is the most fragile part.



ALUMINUM,
A modern look

The right finish for different project styles.

ITS ADVANTAGES:

- Resistant and lasting material
- Sober design
- Very little maintenance (with the Sadev cleaning Kit)



STAINLESS STEEL,
contemporary styling

Design and sophisticated, stainless steel is recognized for its durability

ITS ADVANTAGES:

- Strong
- Resistant to temperature variation
- Very little maintenance (with the Sadev cleaning Kit)



CONTACT US
TO RECEIVE
OUR BROCHURE
with all our handrails



Choose the finish for the handrail



CODE 01:
NATURAL
ANODIZED
ALUMINUM



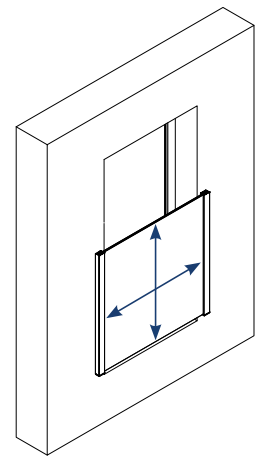
CODE 02:
EFFECT
BRUSHED
STAINLESS
STEEL



CODE 03:
RAL
(Color on request)

SPECIFICATIONS

The tests were carried out in an approved laboratory in accordance with **British standards specifications BS 6180**.



TOP MOUNTING

(Facade fixing)

Height [mm]	Width [mm]												
	500	600	700	800	900	1000	1100	1200	1300	1400	1500	1600 > 2 000	2 000 > 2 500
500													
600													
700													
800													
900													
1 000													
1 100													

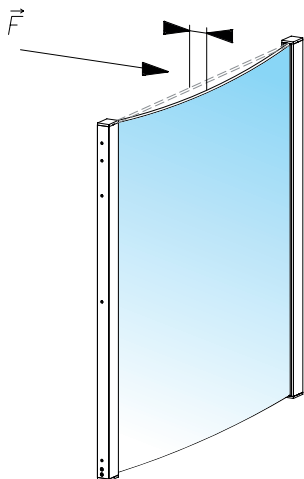
5.5/2 PVB ou EVA ⁽¹⁾

6.6/2 PVB ou EVA ⁽¹⁾

8.8/2 PVB ou EVA ⁽¹⁾

10.10/4 PVB ou EVA ⁽¹⁾

OUTWARD HORIZONTAL STATIC TEST



The force is applied gradually and without shock to the specified maximum value and maintained for a defined time.

LINEAR LOAD

The railing is subjected to the action of a horizontal static force (0.74kN per ml during 15 min), exerted in a distributed manner on the upper part of the glass and directed from the inside to the outside.

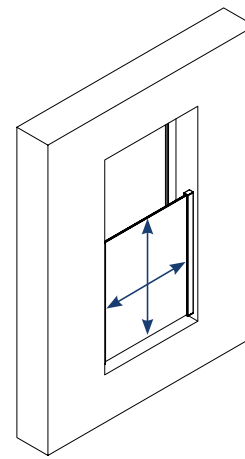
POINT LOAD

The railing is subjected to the action of a horizontal static force (0.5 kN during 15 min) exerted punctually on the upper part of the glass and directed from the inside to the outside. The point of application of the load is in the center of the glazing approximately 5mm from the top edge of the glazing.

(1) Tempered glass (HST)

SPECIFICATIONS

The tests were carried out in an approved laboratory in accordance with **British standards specifications BS 6180**.



SIDE MOUNTING

(Window frame fixing)

Height [mm]	Width [mm]												
	500	600	700	800	900	1000	1100	1200	1300	1400	1500	1600 > 2 000	2 000 > 2 500
500													
600													
700													
800													
900													
1 000													
1 100													

5.5/2 PVB ou EVA (1)

6.6/2 PVB ou EVA (1)

8.8/2 PVB ou EVA (1)

10.10/4 PVB ou EVA (1)

DYNAMIC FILL TEST

SOFT BODY SHOCK

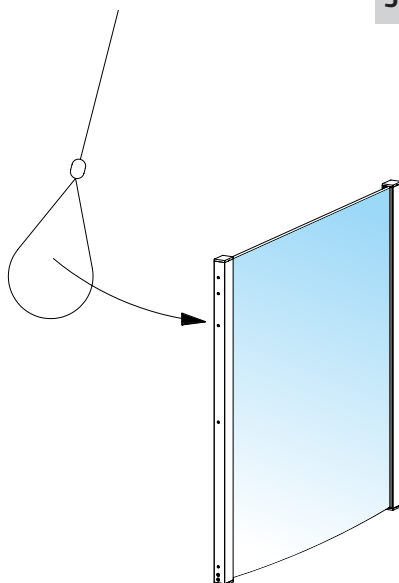
The dynamic soft-body test is carried out with a 50 kg bag for an energy of 900 joules for a height = 1.80 m and an energy of 700 joules for a height = 1.40 m.

The bag falls in pendulum motion without initial velocity and strikes perpendicular to its plane the filler at the determined points of impact (halfway across the infill and 250 mm from the high bank for 900 joules ; and 250 mm from the vertical free edge and 1/3 of the height for 700 joules).

HARD BODY SHOCK

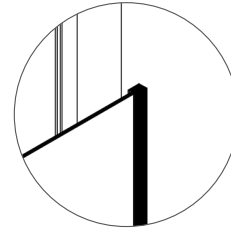
The hard shock is obtained by a pendulum drop of:

- a ball of mass of 1 kg for an energy of 10 joules (safety shock)
- a ball of mass of 0.5 kg for an energy of 3 joules (performance conservation shock)



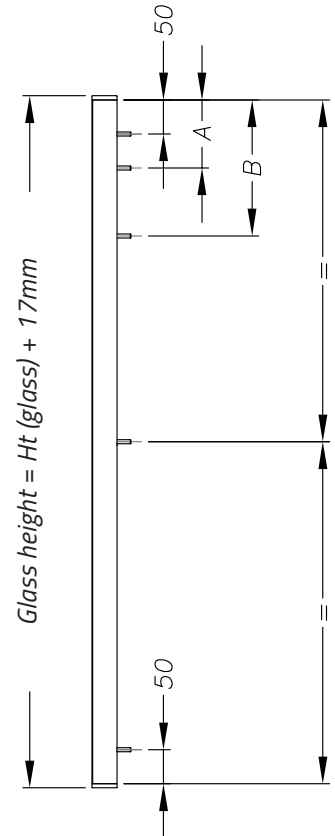
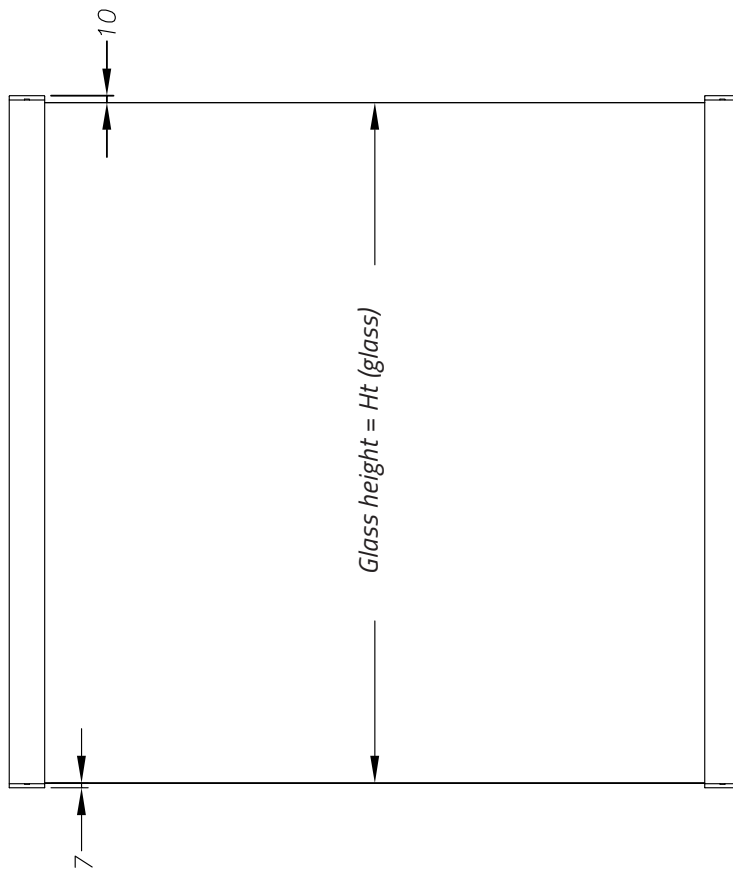
TECHNICAL PLAN

Top Mounting

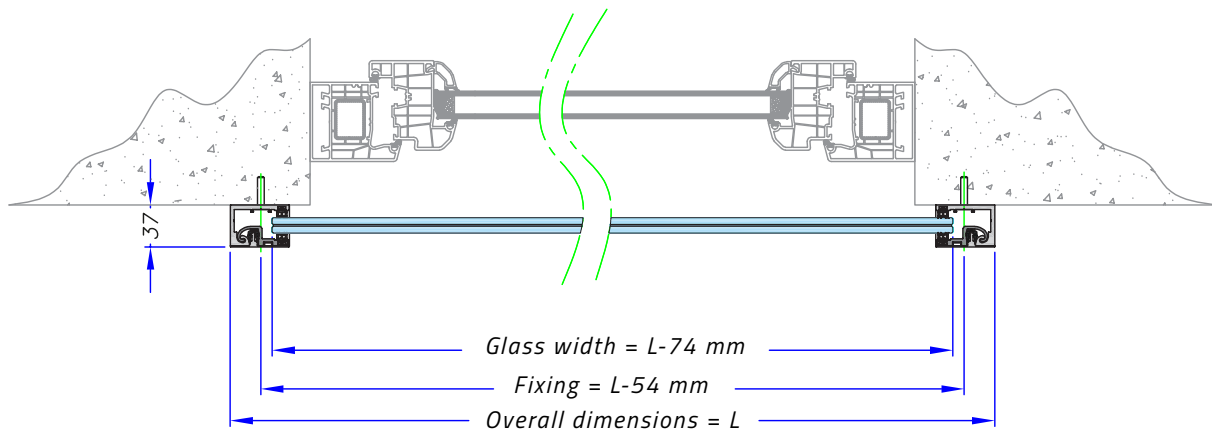


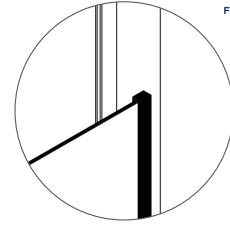
Drilling spacings calculation	Dimensions	A	B
	Kit < 700mm	-	-
	Kit > or = 700mm	100	200

Number of drillings	Kit < 700mm	3
	Kit > or = 700 mm	5



Standard rebate = 15 mm on each side
Glass width tolerance = +/- 4 mm

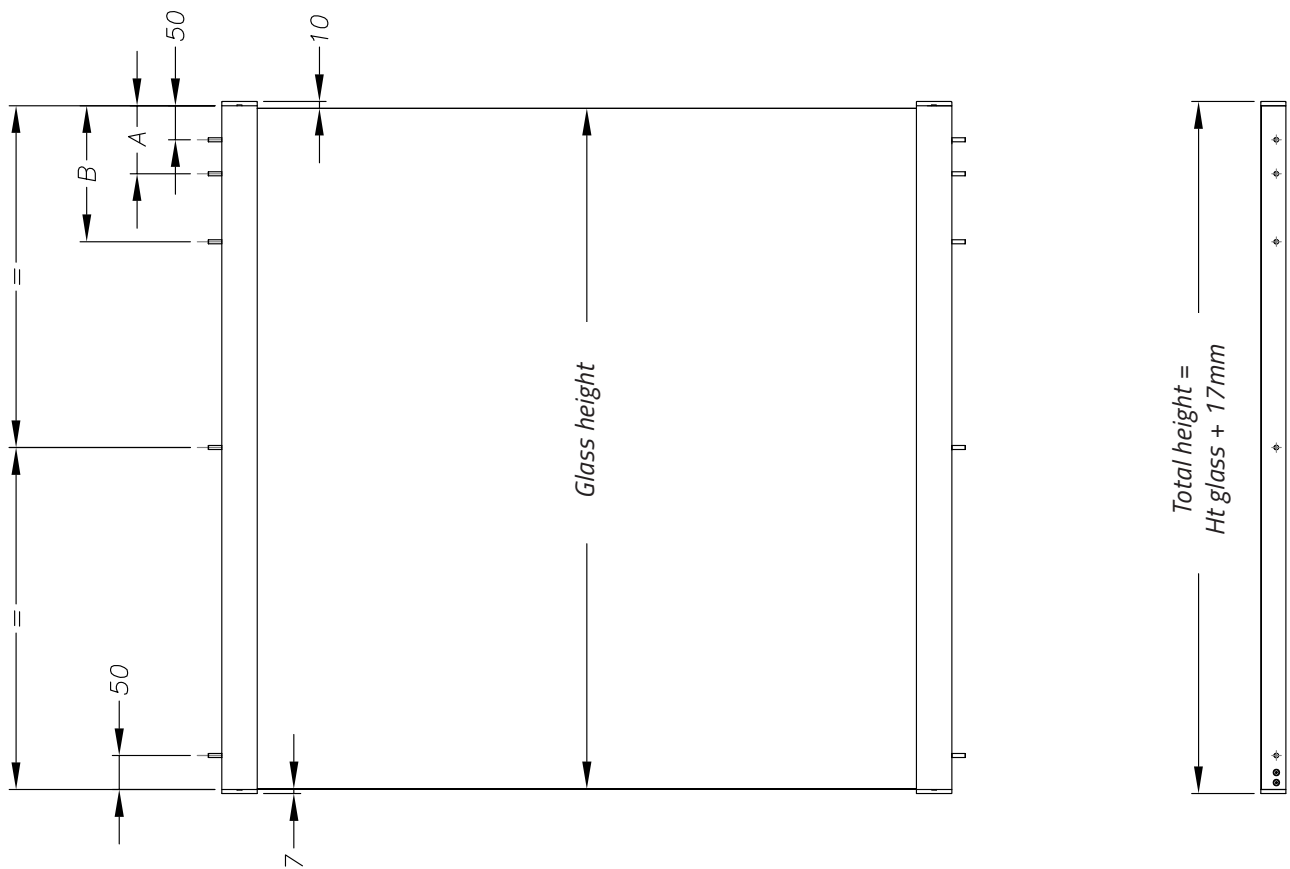




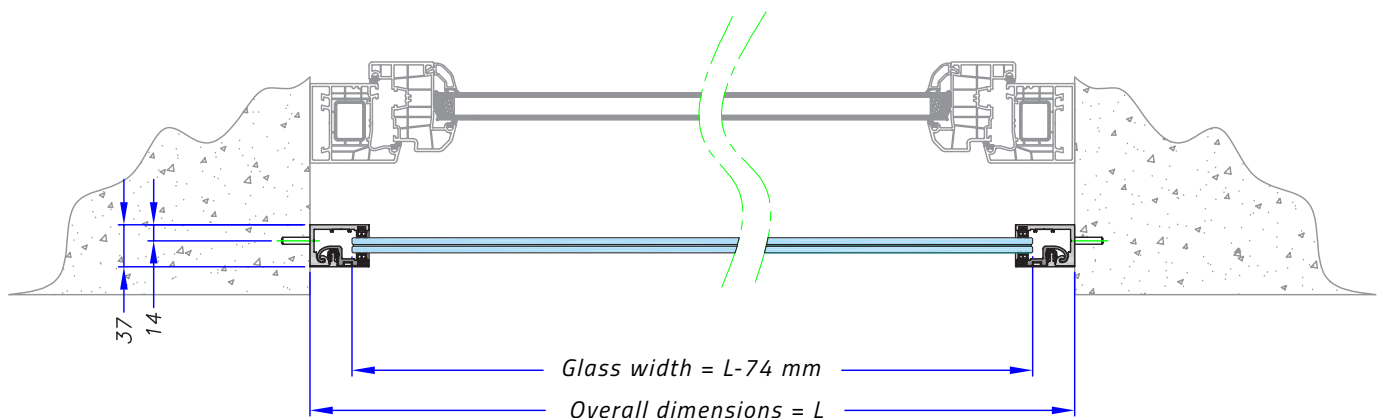
TECHNICAL PLAN | Side Mounting

Drilling spacings calculation	Dimensions	A	B
	Kit < 700mm	-	-
	Kit > or = 700mm	100	200

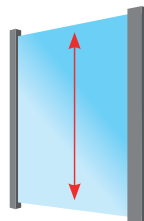
Number of drillings	Kit < 700mm	3
	Kit > or = 700 mm	5



Standard rebate = 15 mm on each side
Glass width tolerance = +/- 4 mm



PRODUCTS REFERENCES



Drill kit - Side mounting

Glass height	Glass thickness			
	05.05 <i>(10.4 > 11.9 mm)</i>	06.06 <i>(12.4 > 13.2 mm)</i>	08.08 <i>(16.2 > 18.2 mm)</i>	10.10 <i>(20.4 > 22.2 mm)</i>
500 mm	006R2-50-0505	006R2-50-0606	006R2-50-0808	006R2-50-1010
600 mm	006R2-60-0505	006R2-60-0606	006R2-60-0808	006R2-60-1010
700 mm	006R2-70-0505	006R2-70-0606	006R2-70-0808	006R2-70-1010
800 mm	006R2-80-0505	006R2-80-0606	006R2-80-0808	006R2-80-1010
900 mm	006R2-90-0505	006R2-90-0606	006R2-90-0808	006R2-90-1010
1 000 mm	006R2-100-0505	006R2-100-0606	006R2-100-0808	006R2-100-1010
1 100 mm	006R2-110-0505	006R2-110-0606	006R2-110-0808	006R2-110-1010
1 200 mm	006R2-120-0505	006R2-120-0606	006R2-120-0808	006R2-120-1010



Drill kit - Top mounting (from outside)

Glass height	Glass thickness			
	05.05 <i>(10.4 > 11.9 mm)</i>	06.06 <i>(12.4 > 13.2 mm)</i>	08.08 <i>(16.2 > 18.2 mm)</i>	10.10 <i>(20.4 > 22.2 mm)</i>
500 mm	006R1-50-0505	006R1-50-0606	006R1-50-0808	006R1-50-1010
600 mm	006R1-60-0505	006R1-60-0606	006R1-60-0808	006R1-60-1010
700 mm	006R1-70-0505	006R1-70-0606	006R1-70-0808	006R1-70-1010
800 mm	006R1-80-0505	006R1-80-0606	006R1-80-0808	006R1-80-1010
900 mm	006R1-90-0505	006R1-90-0606	006R1-90-0808	006R1-90-1010
1 000 mm	006R1-100-0505	006R1-100-0606	006R1-100-0808	006R1-100-1010
1 100 mm	006R1-110-0505	006R1-110-0606	006R1-110-0808	006R1-110-1010
1 200 mm	006R1-120-0505	006R1-120-0606	006R1-120-0808	006R1-120-1010

When ordering, please specify the finish you wish to obtain on your product:

e.g.: Kit **006R1-050-0505** + grey 7016 satin finish **03G** = **006R1-050-0505-03G**

 **Code 00** : Raw aluminum

 **Code 01** : Natural anodized aluminum



Code 03 : RAL (color on request)



Code 03W : White 9016 satin (30% gloss)

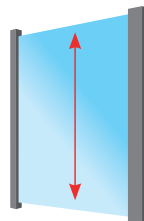


Code 03G : Grey 7016 satin (30% gloss)



Code 05 : Black anodized aluminum

PRODUCTS REFERENCES



Drill kit - Top mounting (from inside)

(Please note that the gaskets are different)

Glass height	Glass thickness			
	05.05 (10.4 > 11.9 mm)	06.06 (12.4 > 13.2 mm)	08.08 (16.2 > 18.2 mm)	10.10 (20.4 > 22.2 mm)
500 mm	006R3-50-0505	006R3-50-0606	006R3-50-0808	006R3-50-1010
600 mm	006R3-60-0505	006R3-60-0606	006R3-60-0808	006R3-60-1010
700 mm	006R3-70-0505	006R3-70-0606	006R3-70-0808	006R3-70-1010
800 mm	006R3-80-0505	006R3-80-0606	006R3-80-0808	006R3-80-1010
900 mm	006R3-90-0505	006R3-90-0606	006R3-90-0808	006R3-90-1010
1 000 mm	006R3-100-0505	006R3-100-0606	006R3-100-0808	006R3-100-1010
1 100 mm	006R3-110-0505	006R3-110-0606	006R3-110-0808	006R3-110-1010
1 200 mm	006R3-120-0505	006R3-120-0606	006R3-120-0808	006R3-120-1010

Undrilled kit - Top and side mounting (from outside)

Glass height	Glass thickness			
	05.05 (10.4 > 11.9 mm)	06.06 (12.4 > 13.2 mm)	08.08 (16.2 > 18.2 mm)	10.10 (20.4 > 22.2 mm)
500 mm	006R0-050-0505	006R0-050-0606	006R0-050-0808	006R0-050-1010
600 mm	006R0-060-0505	006R0-060-0606	006R0-060-0808	006R0-060-1010
700 mm	006R0-070-0505	006R0-070-0606	006R0-070-0808	006R0-070-1010
800 mm	006R0-080-0505	006R0-080-0606	006R0-080-0808	006R0-080-1010
900 mm	006R0-090-0505	006R0-090-0606	006R0-090-0808	006R0-090-1010
1 000 mm	006R0-100-0505	006R0-100-0606	006R0-100-0808	006R0-100-1010
1 100 mm	006R0-110-0505	006R0-110-0606	006R0-110-0808	006R0-110-1010
1 200 mm	006R0-120-0505	006R0-120-0606	006R0-120-0808	006R0-120-1010

We offer custom kits based on the height of your glass and your chosen finish.

For any request, please contact us via email at info@sadev.com or by phone at +33 450 083 900.

When ordering, please specify the finish you wish to obtain on your product:

e.g.: Kit **006R1-050-0505** + grey 7016 satin finish **03G** = **006R1-050-0505-03G**

 **Code 00** : Raw aluminum

 **Code 01** : Natural anodized aluminum



Code 03 : RAL (color on request)



Code 03W : White 9016 satin (30% gloss)



Code 03G : Grey 7016 satin (30% gloss)



Code 05 : Black anodized aluminum

CORSICA

PRIVATE VILLA

Glass width: 1 900mm

Glass height: 964mm

Glass thickness: 08.08

Support material: wood

Installation: side mounting

Finish: RAL 7016 satin

PRODUCTS REFERENCES

Retail parts

A Opening

Length: 6.2 meters

006R-DOR0-620-00
006R-DOR0-620-01
006R-DOR0-620-03G
006R-DOR0-620-03W
006R-DOR0-620-03

D Cladding

Length: 6.2 meters

006R-CAPOT-620-00
006R-CAPOT-620-01
006R-CAPOT-620-03G
006R-CAPOT-620-03W
006R-CAPOT-620-03

F Gasket

Sold by the metre

05.05 (10.4 > 11.9 mm)	006R-JOINT4	08.08 (16.2 > 18.2 mm)	006R-JOINT2
06.06 (12.4 > 13.2 mm)	006R-JOINT3	10.10 (20.4 > 22.2 mm)	006R-JOINT1

**Please note that for surface mounting from the inside, the seals are different.*

B Ouvrant

Length: 6.2 meters

006R-OUV-620-05

E Gasket clip cladding

Sold by the metre

006R-CLIPCAPO

C Cap kit

FOR 1 KIT

006RKIT01-BOU-00
006RKIT01-BOU-01
006RKIT01-BOU-03G
006RKIT01-BOU-03W
006RKIT01-BOU-03


FOR 10 KIT


006RKIT10-BOU-00
006RKIT10-BOU-01
006RKIT10-BOU-03G
006RKIT10-BOU-03W
006RKIT10-BOU-03




When ordering, please specify the finish you wish to obtain on your product:


e.g.: Kit **006R1-050-0505** + grey 7016 satin finish **03G** = **006R1-050-0505-03G**


 **Code 00** : Raw aluminum

 **Code 01** : Natural anodized aluminum

 **Code 03** : RAL (color on request)

 **Code 03W** : White 9016 satin (30% gloss)

 **Code 03G** : Grey 7016 satin (30% gloss)

 **Code 05** : Black anodized aluminum

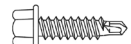
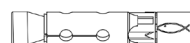
Cleaning kit

70UT-KITNET01

Degreaser kit - aluminum and stainless steel
400ml aerosol - cloth

70UT-NET01

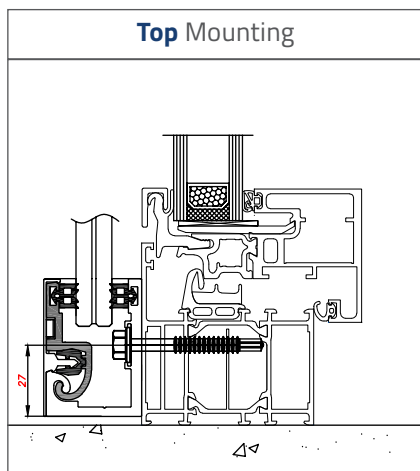
Degreaser aluminum and stainless steel
400ml aerosol



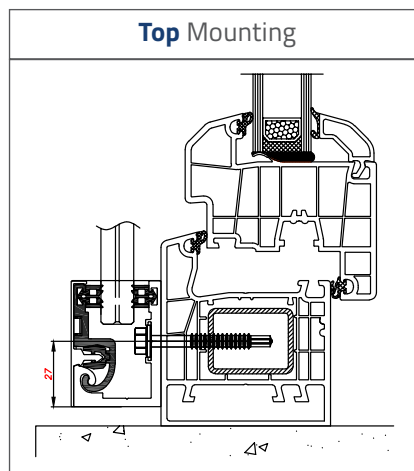
Choose the **fasteners** that match your **support**.

Discover our fasteners on p19

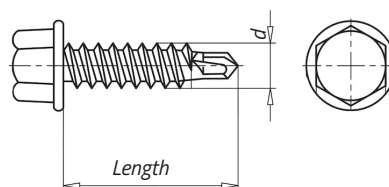
FIXINGS



ALUMINUM LAYOUT



PVC LAYOUT



DRILLING SCREW

Hexagon head A2 stainless steel with drill tip and moulded thread made of hardened steel

To fasten metal profiles to metal substructures made of steel or aluminum

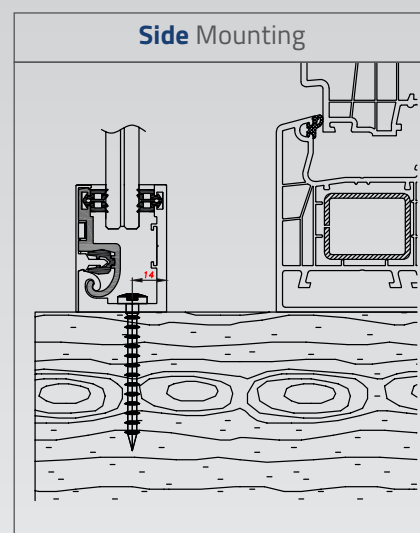
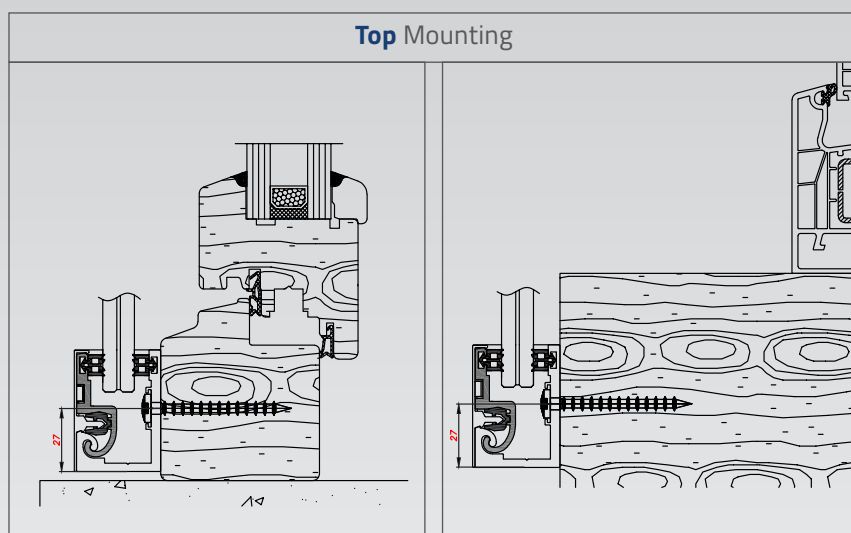
Material	Bimetal
Surface	Flake zinc
RoHS-compliant	Yes
Head type	Hexagon head with collar
Drive type	Hexagon
Thread type	Self-tapping screw thread
Shape of tip	Drilling tip

Support material	Steel, Aluminum
Approval	ETA-10/0184
Aluminum fixing	The screw needs a minimum of 2 thicknesses with a total thickness «t» ≥ 3 mm.
Steel fastening	The screw needs a minimum of a thickness «t» ≥ 1,5 mm.

Support material	Screw Material	Screw dimensions		Length (B)	C (min)	Reference
		Diameter	Length			
Aluminum or steel	Stainless steel A2	Ø4,8	50 mm	0 – 19 mm	40 mm	09FIX-VAPA2-04050
			50 mm	0 – 25 mm	40 mm	09FIX-VAPA2-06050
		Ø6,3	60 mm	25 – 35 mm	50 mm	09FIX-VAPA2-06060
			70 mm	35 – 45 mm	60 mm	09FIX-VAPA2-06070
			85 mm	45 – 60 mm	75 mm	09FIX-VAPA2-06085
			100 mm	60 – 75 mm	90 mm	09FIX-VAPA2-06100
			115 mm	75 – 90 mm	105 mm	09FIX-VAPA2-06115
			130 mm	90 – 105 mm	120 mm	09FIX-VAPA2-06130
			150 mm	105 – 125 mm	140 mm	09FIX-VAPA2-06150

FIXINGS

Support material	Screw Material	Screw dimensions		Length (B)	C (min)	Reference
		Diameter	Length			
Steel	Galvanized steel	Ø4,8	50 mm	0 – 25 mm	40 mm	09FIX-VAPAZ-04050
			60 mm	25 – 35 mm	50 mm	09FIX-VAPAZ-04060
			70 mm	35 – 45 mm	60 mm	09FIX-VAPAZ-04070
			85 mm	45 – 60 mm	75 mm	09FIX-VAPAZ-04085
		Ø6,3	50 mm	0 – 25 mm	40 mm	09FIX-VAPAZ-06050
			60 mm	25 – 35 mm	50 mm	09FIX-VAPAZ-06060
			70 mm	35 – 45 mm	60 mm	09FIX-VAPAZ-06070
			80 mm	45 – 55 mm	70 mm	09FIX-VAPAZ-06080
			100 mm	55 – 75 mm	90 mm	09FIX-VAPAZ-06100
			110 mm	75 – 85 mm	100 mm	09FIX-VAPAZ-06110
			140 mm	85 – 115 mm	130 mm	09FIX-VAPAZ-06140
			150 mm	115 – 125 mm	140 mm	09FIX-VAPAZ-06150

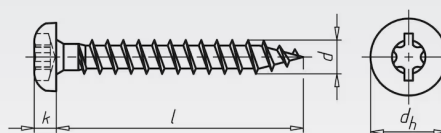


WOOD LAYOUT

WOOD LAYOUT



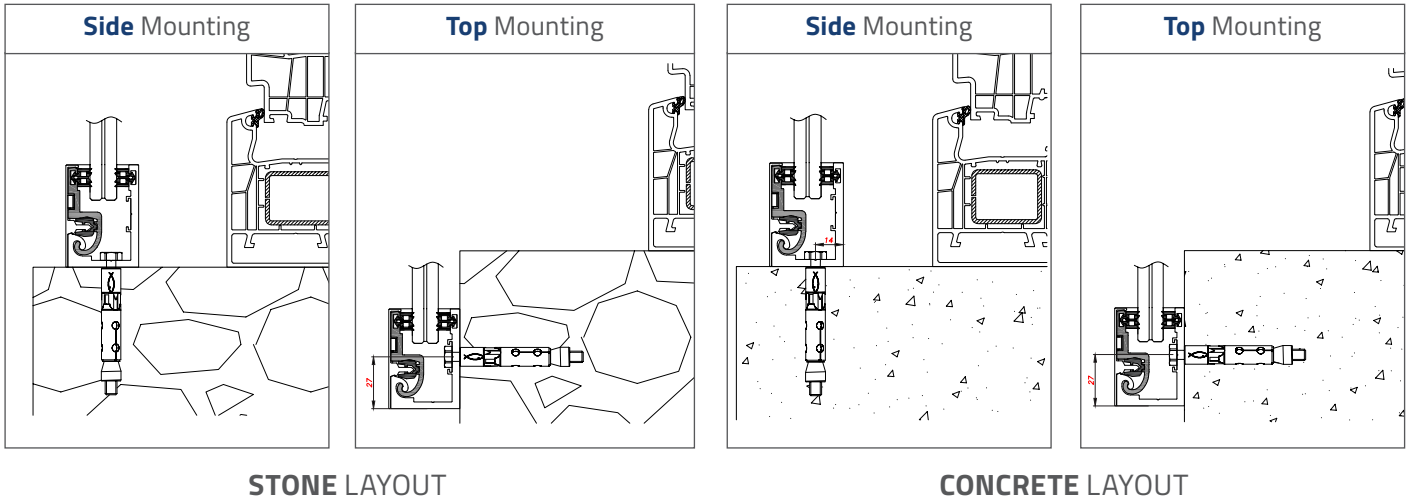
WOOD SCREW - Domed cylindrical head, M6



Material	Tempered steel
RoHS-compliant	Yes
Head shape	Domed cylindrical head
Thread type	Wood screw thread
Thread type	Total thread
Thread form	Double thread
Point shape	Point

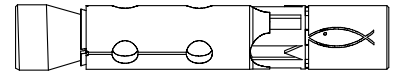
Screw dimensions		
Diameter	Length	Reference
Ø6	40 mm	09FIX-VBOAZ-06040
	50 mm	09FIX-VBOAZ-06050
	60 mm	09FIX-VBOAZ-06060
	70 mm	09FIX-VBOAZ-06070

FIXINGS



HIGH PERFORMANCE ANCHOR - M6 threaded sleeve

Zinc-plated steel (I) or stainless steel (IR)



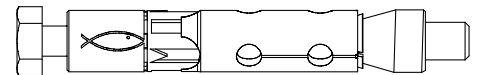
Approval	ETE
Nominal drill diameter	12mm
Thread	M6

Anchoring length	Material	Reference
77,5 mm	Zinc-plated steel	09FIX-CDAZ-06
77,5 mm	Stainless steel	09FIX-CDA4-06



HIGH PERFORMANCE ANCHOR - with hexagon-head screw

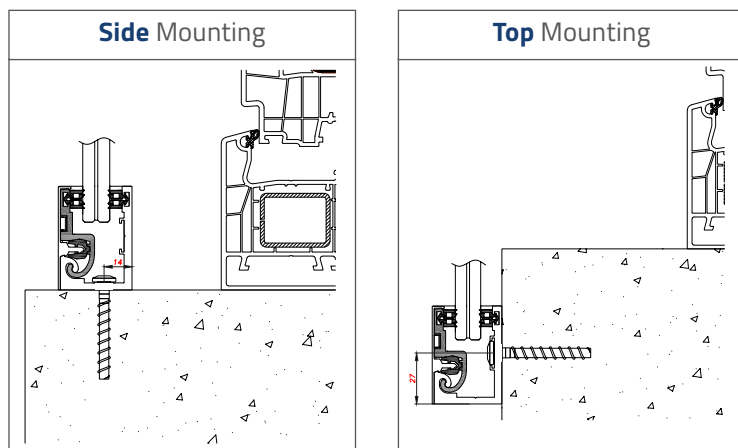
Zinc-plated steel (I) or stainless steel (IR)



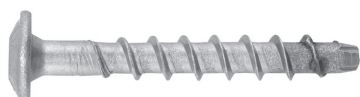
Approval	ETE
Approval	ICC
Nominal drill diameter	10mm
Wrench opening	10mm
Thread	M6

Anchoring length	Material	Reference
70 m	Zinc-plated steel	09FIX-CDAZ-06070
75mm	Zinc-plated steel	09FIX-CDAZ-06075
110mm	Zinc-plated steel	09FIX-CDAZ-06110
69mm	Stainless steel	09FIX-CDA4-06069
84mm	Stainless steel	09FIX-CDA4-06084

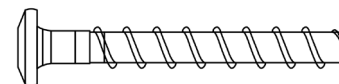
FIXINGS



CONCRETE LAYOUT



CONCRETE SCREW - M6 with domed cylindrical head, TX30 drive



Zinc-plated steel

Approval	ETA
Thread	M6

Anchoring length	Material	Reference
60 mm	Zinc-plated steel	09FIX-VBAG-06



We Build the Invisible

CLASSIC

DECOR

CONSTRUCT

SABCO

SWIMSIDE

Member of
**SIMONSWERK
GROUP**

Tél. +33(0) 4 50 08 39 00 | info@sadev.com
76, chemin des Poses - 74330 Poisy (France)

sadev.com
follow us on

