

ASSEMBLY GUIDE

**FRENCH
BALCONY
RAILING**



QRcode à mettre

ASSEMBLY
GUIDE VIDEO

ORDER CONFORMITY

We advise you to read this manual completely and carefully before working on the equipment.

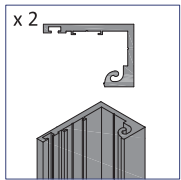
Using the delivery note, check the conformity of the delivery before any other intervention.

ACTIVATE YOUR PRODUCT WARRANTY

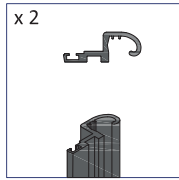
Register directly on our website
www.sadev.com/maintenance-and-warranty



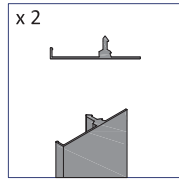
Component Description



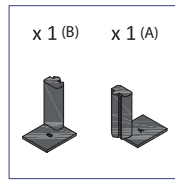
▪ **FIXED FRAME**



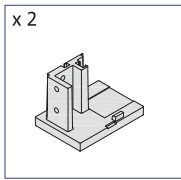
▪ **HINGES**



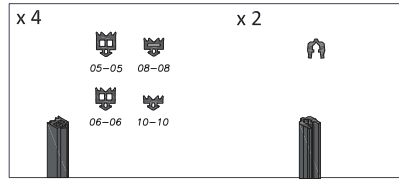
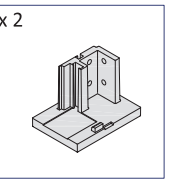
▪ **CLADDING**



▪ **STOPS**

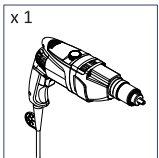


▪ **END CAPS**

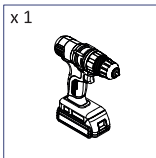


▪ **GASKETS**

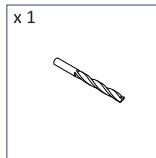
Tools required for assembly



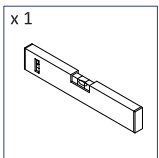
▪ **DRILL / HAMMER DRILL**



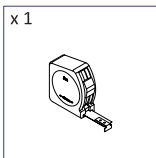
▪ **SCREW-GUN**



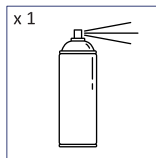
▪ **DRILL BIT**
(adapted support)



▪ **LEVELING TOOL**



▪ **MEASURING TAPE**



▪ **CLEANING KIT**
Ref.: 7OUT-KITNET

RECOMMENDATIONS

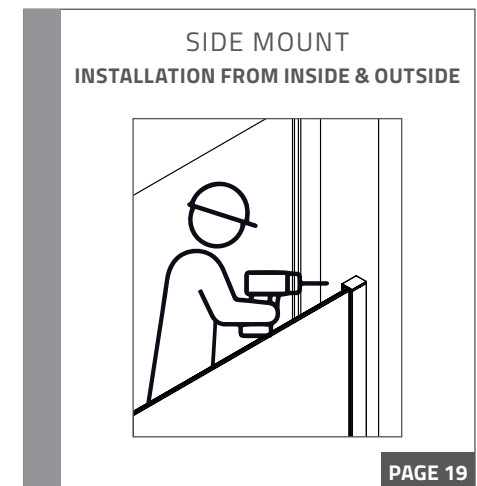
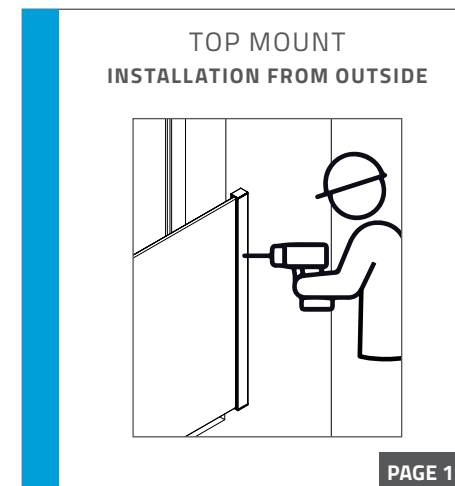
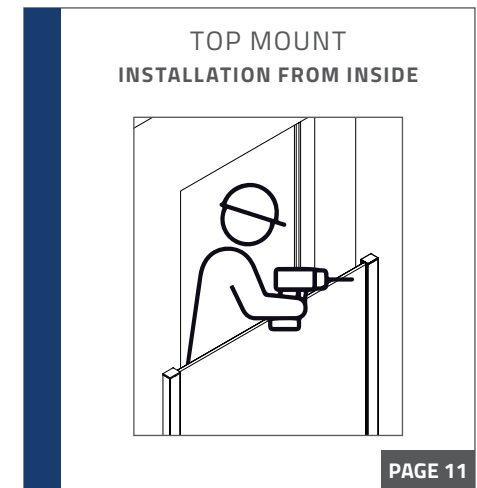
The installation of ROMEО must comply with this assembly guide, as well as usage and safety precautions. Any modification or degradation of SADEV products releases our company from any liability.

Available on sadev.com

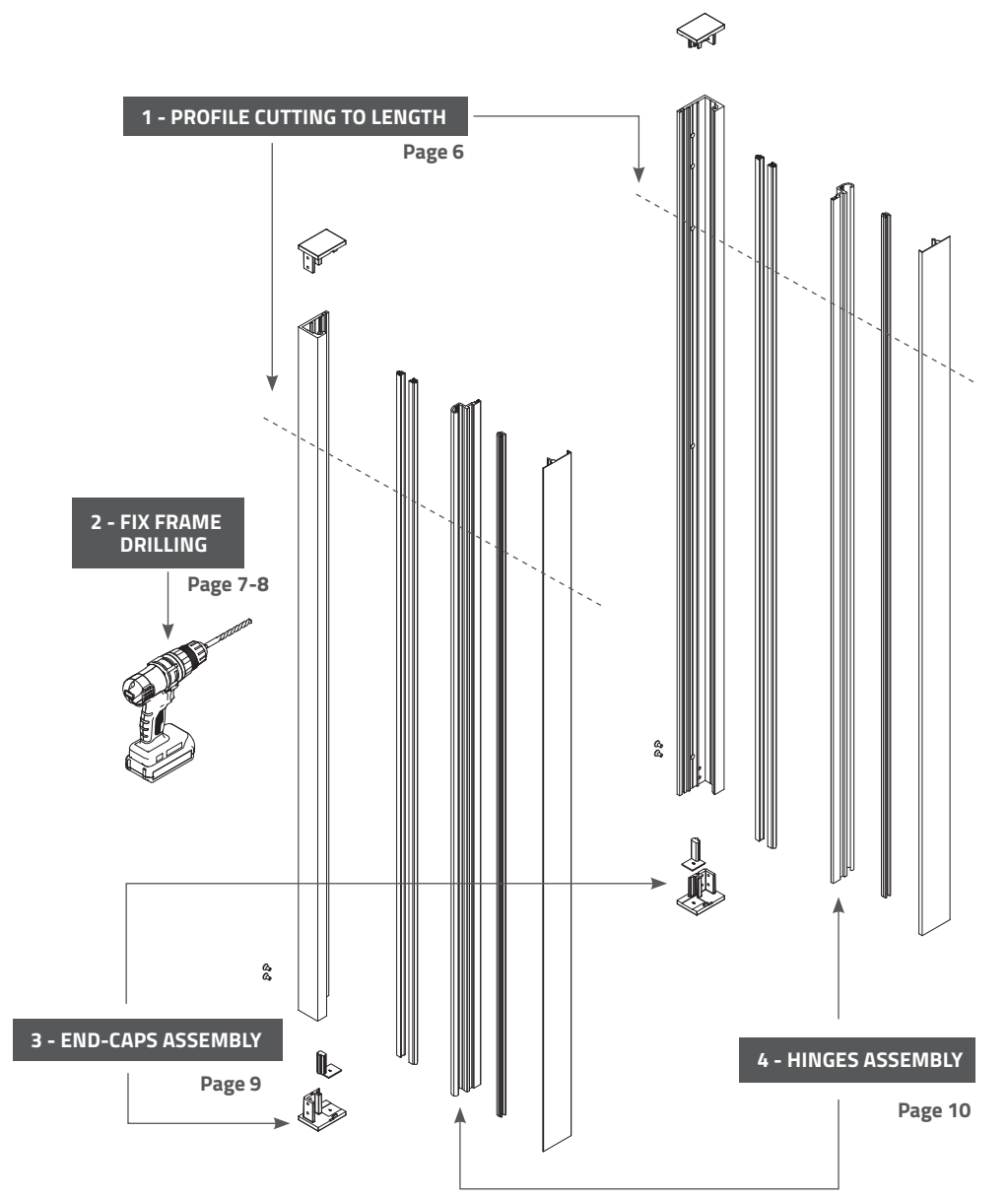
SUMMARY

If you opt for a standard drilled ROMEО Kit, side or top mountings please go directly to the concerned installation page.

Specific tab for each kit will assist you in navigating through this manual.



PREPARATION STEPS FOR NON DRILLED KIT

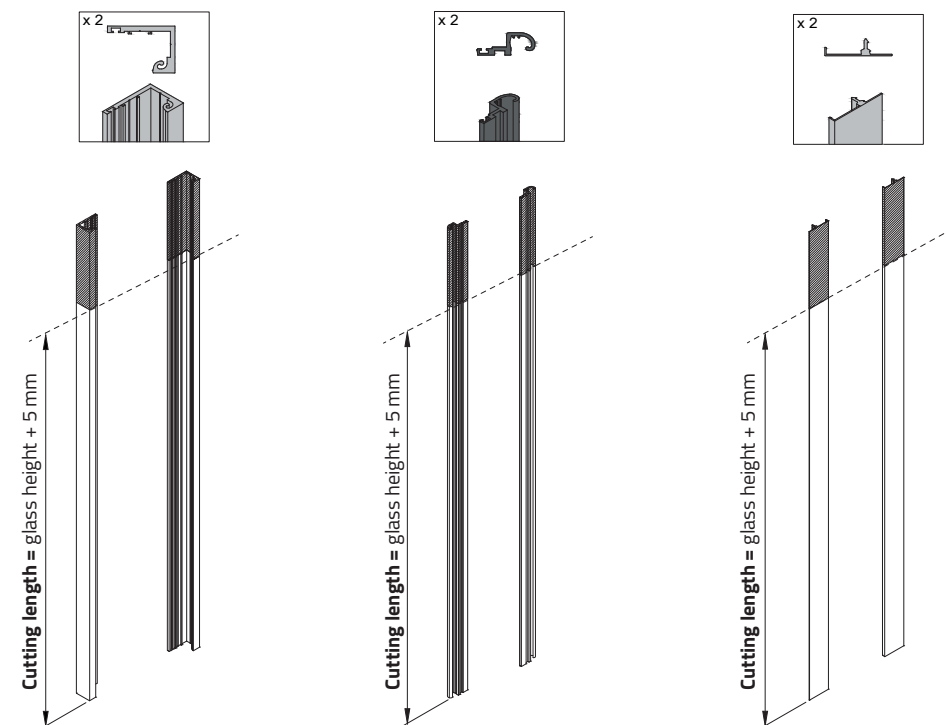
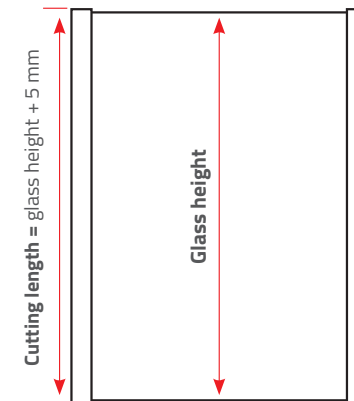


1 - PROFILE CUTTING TO LENGTH

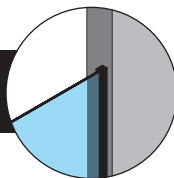
Profile length depends on your glass size.

Cutting length = glass height + 5 mm

Example: For a glass height of 1,000 mm, all profiles must be cut to a length of 1,005 mm.

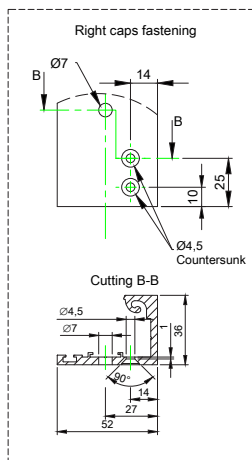
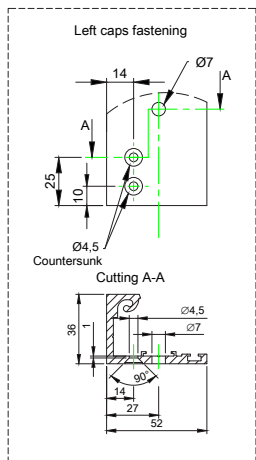
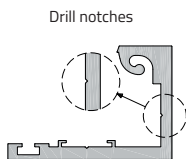
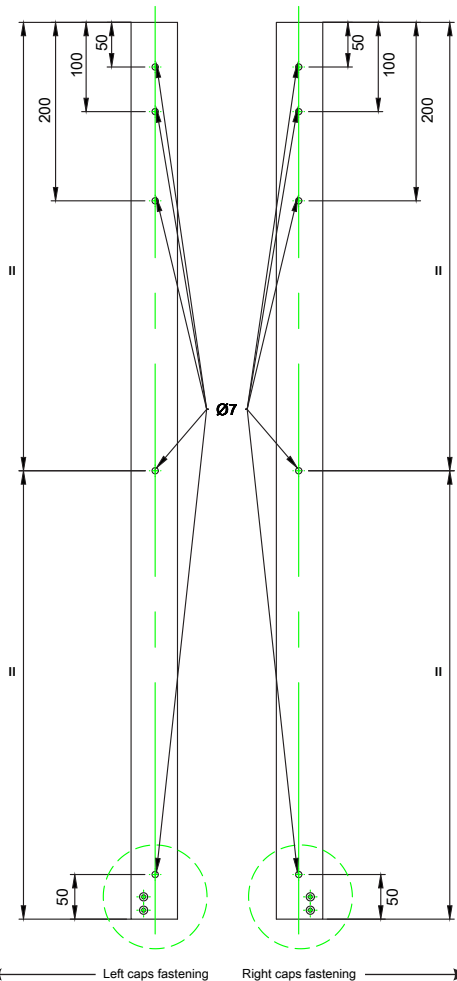


2 - FIX FRAME DRILLING FOR THE HEIGHT < 700 MM
SIDE MOUNTING

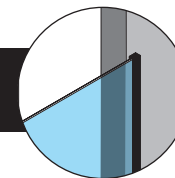


Fastening the kit

- Number of holes per side for kits with dimensions less than 700 mm :
- 3 x \varnothing 7 mm holes for support fastenings.
 - 2 x \varnothing 4.5 mm countersunk holes for cap fastenings.

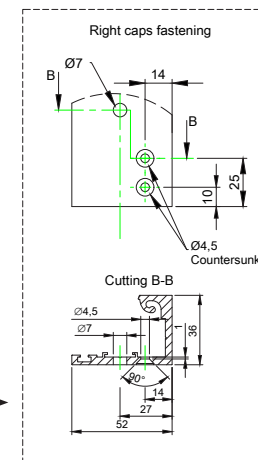
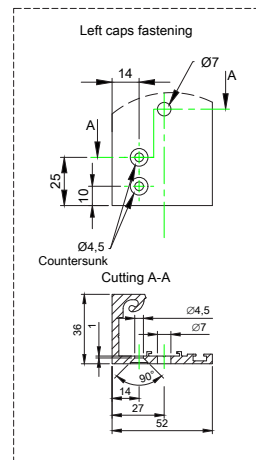
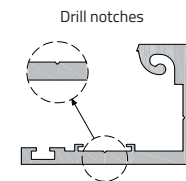
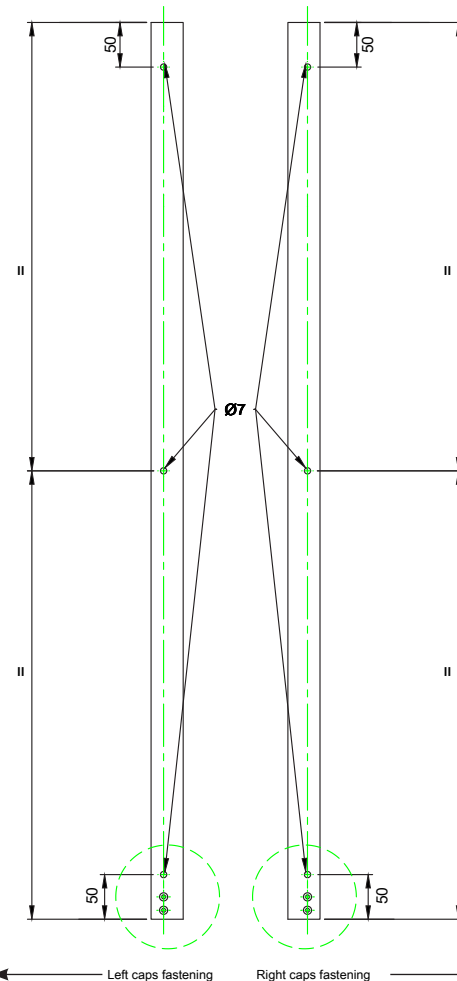


2 - FIX FRAME DRILLING FOR THE HEIGHT < 700 MM
TOP MOUNTING

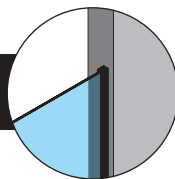


Fastening the kit

- Number of holes per side for kits with dimensions less than 700 mm :
- 3 x \varnothing 7 mm holes for support fastenings.
 - 2 x \varnothing 4.5 mm countersunk holes for cap fastenings.



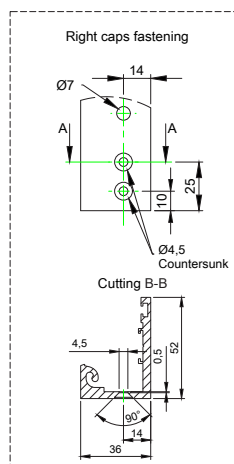
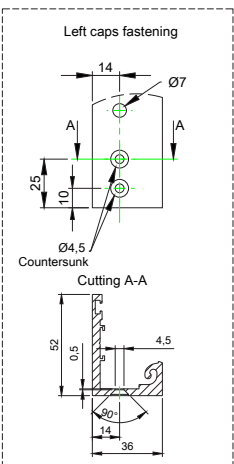
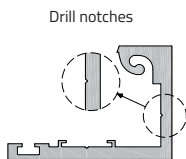
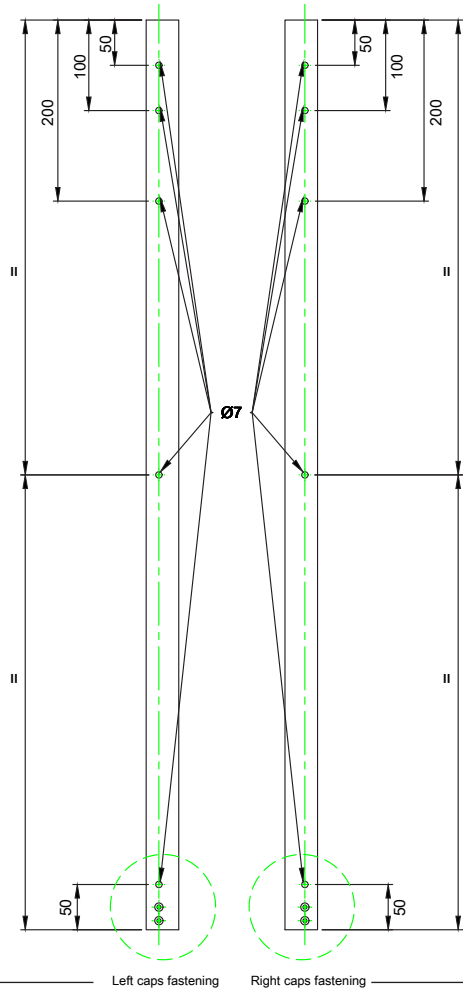
2 - FIX FRAME DRILLING FOR THE HEIGHT > 700 MM
SIDE MOUNTING



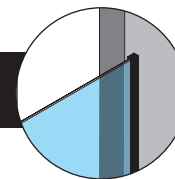
For kit heights > 1200 mm: please consult us

Fastening the kit

- Number of holes per side for kits with dimensions **over than 700 mm** :
- 3 x \varnothing 7 mm holes for support fastenings.
 - 2 x \varnothing 4.5 mm countersunk holes for cap fastenings.



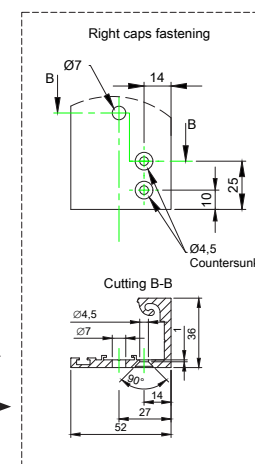
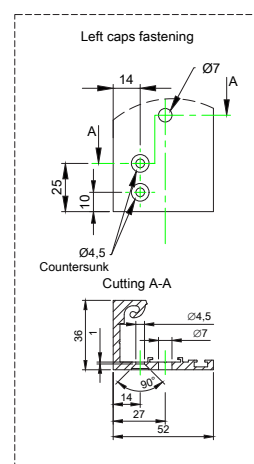
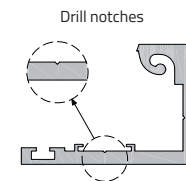
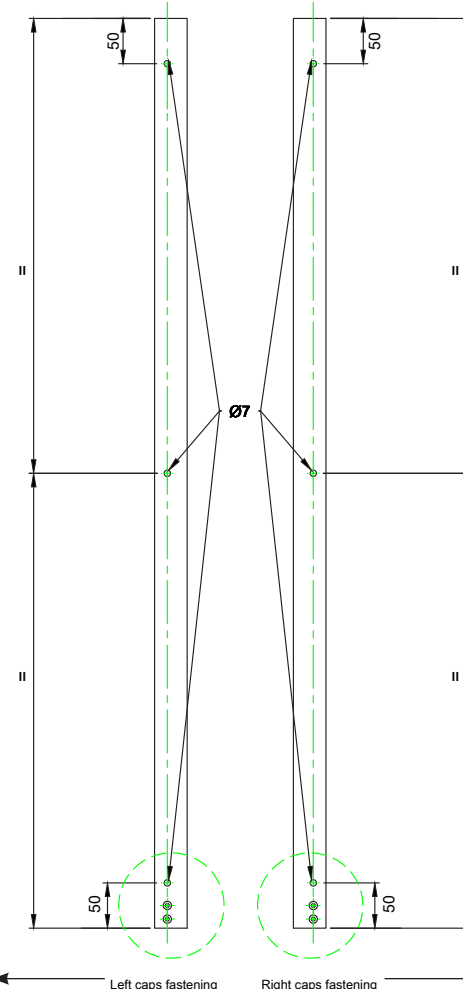
2 - FIX FRAME DRILLING FOR THE HEIGHT > 700 MM
TOP MOUNTING



For kit heights > 1200 mm: please consult us

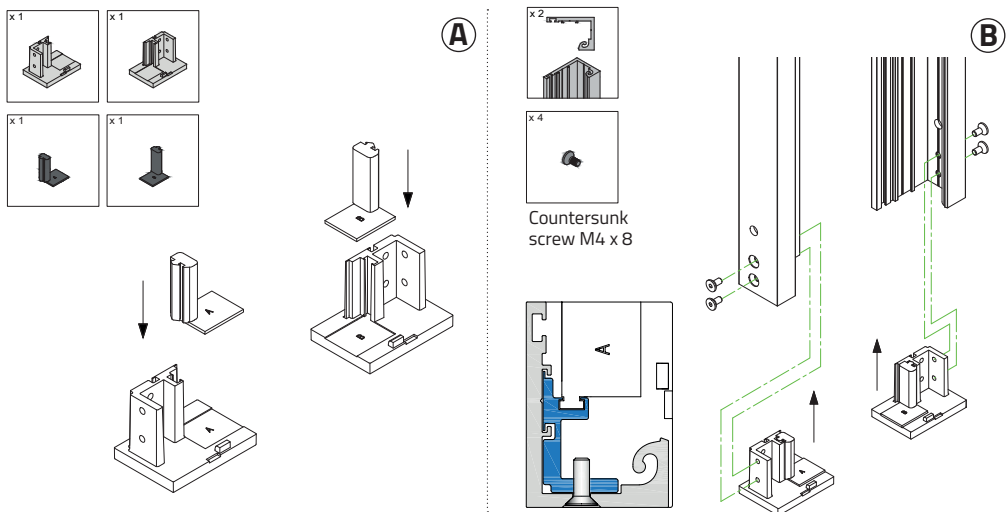
Fastening the kit

- Number of holes per side for kits with dimensions **over than 700 mm** :
- 3 x \varnothing 7 mm holes for support fastenings.
 - 2 x \varnothing 4.5 mm countersunk holes for cap fastenings.

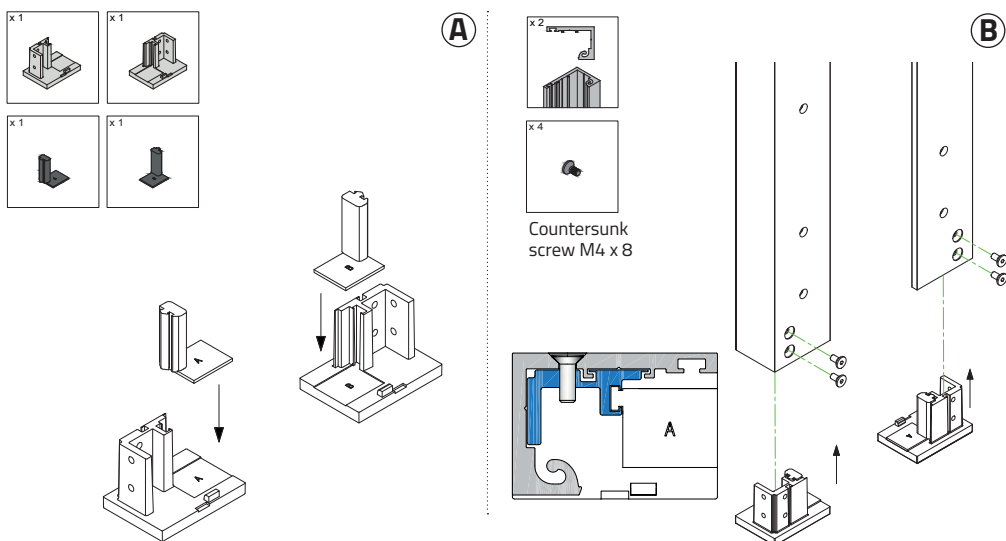


3 - END-CAPS PRE-ASSEMBLY

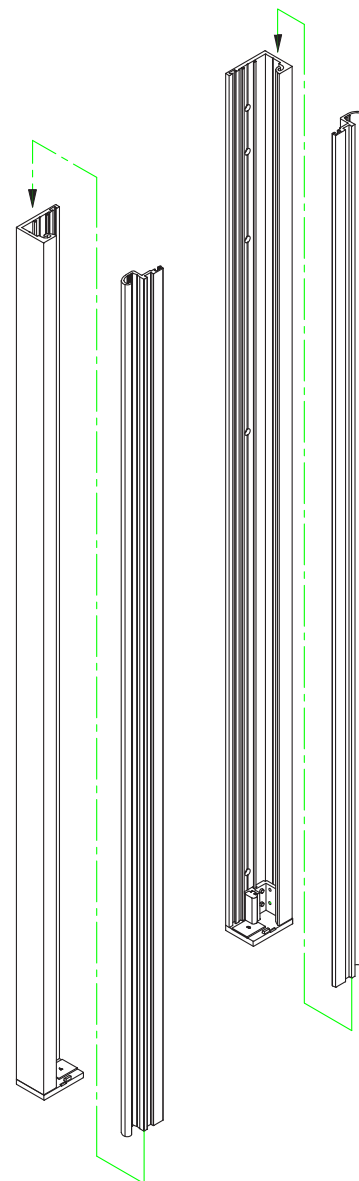
SIDE MOUNTING



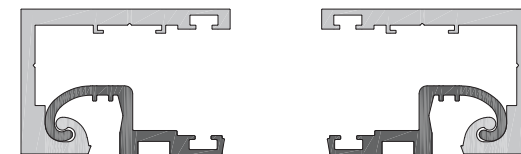
TOP MOUNTING



4 - HINGES ASSEMBLY



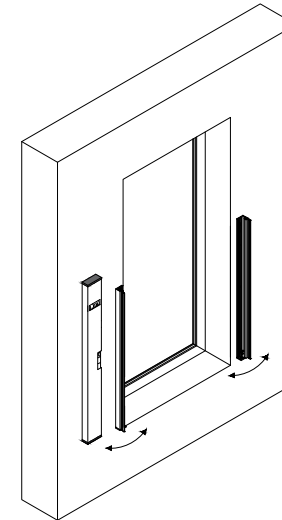
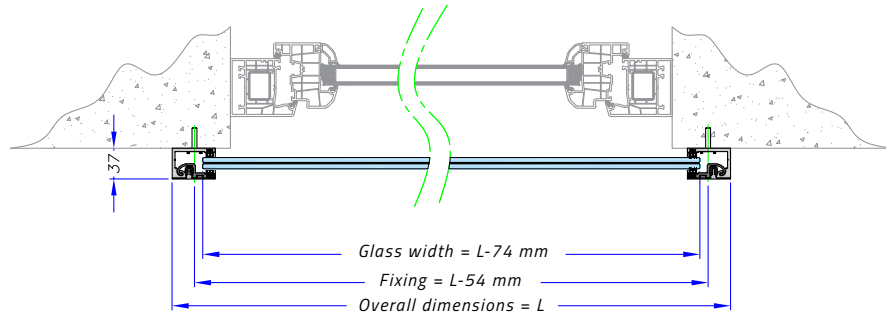
The hinge needs to be slid into the frame from the top.
Caution : hinges assembly must be done before profile fastening (for both side and top mounting)



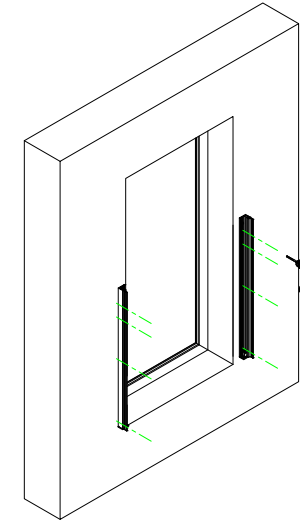


TOP MOUNTING - FROM OUTSIDE

Check support and profile leveling before glass layout.

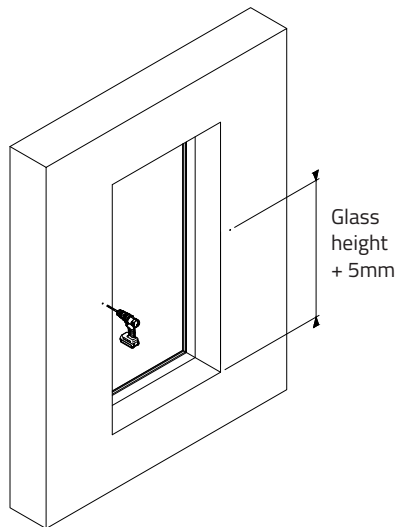


3 - Leveling 2 profiles.

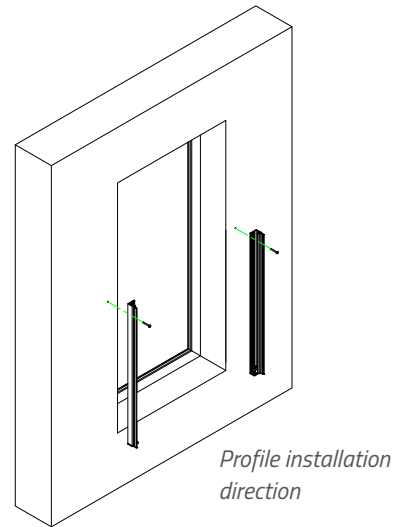


4 - Drill the other holes.

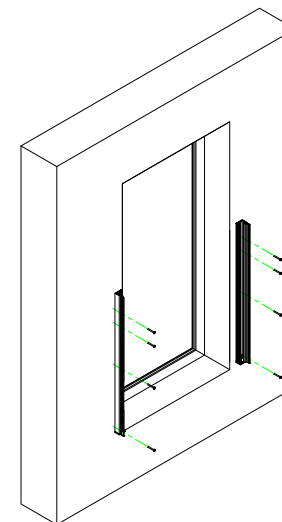
The number of holes depends on the support (refer to the drilling reference source p6).



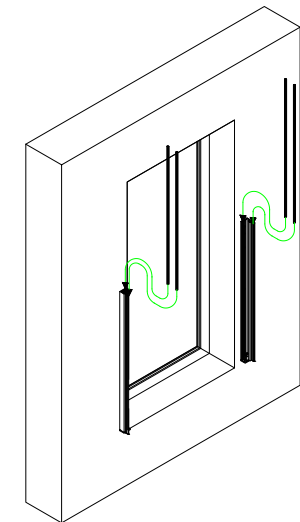
1 - Drill the 2 holes at the top of the support from each side of the window.



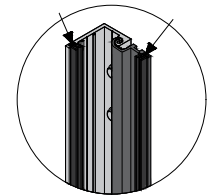
2 - Fasten the 2 screws leaving some slack

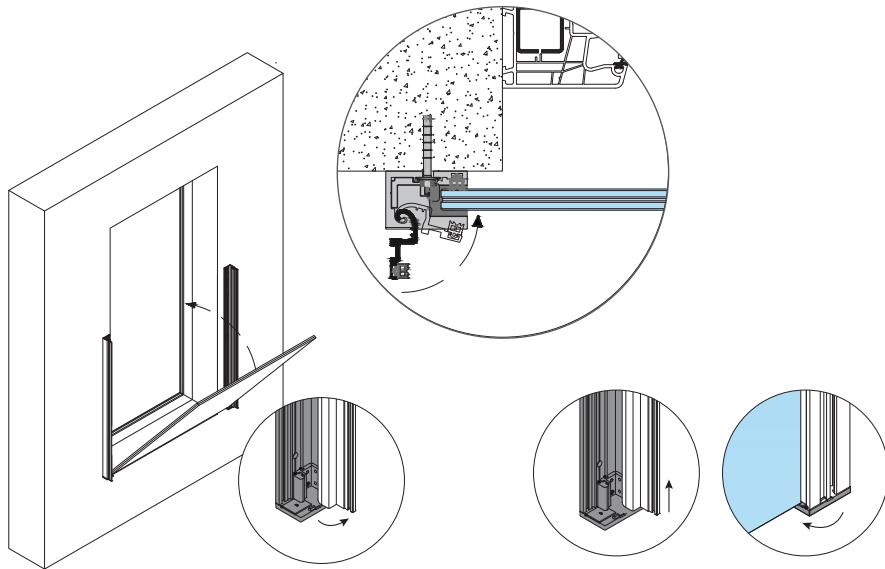


5 - Fasten all the screws on both side.



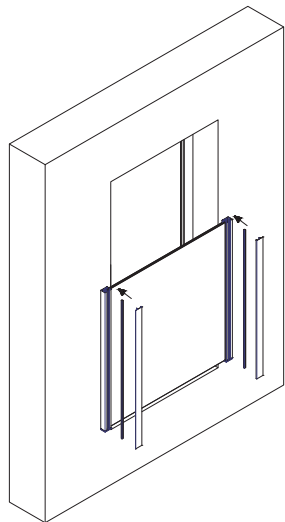
6 - Insert the right gasket corresponding to the glass thickness.



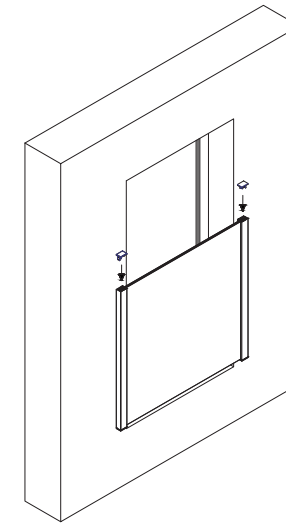
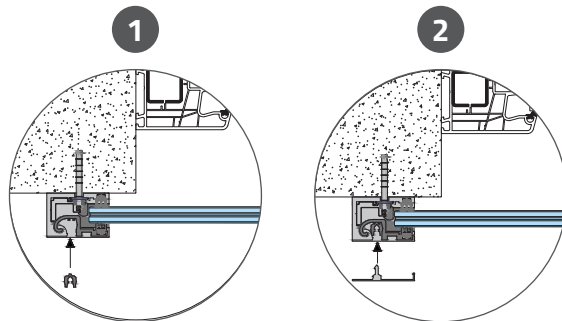


7 - Open the hinge and insert the glass using suction pads.

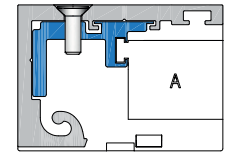
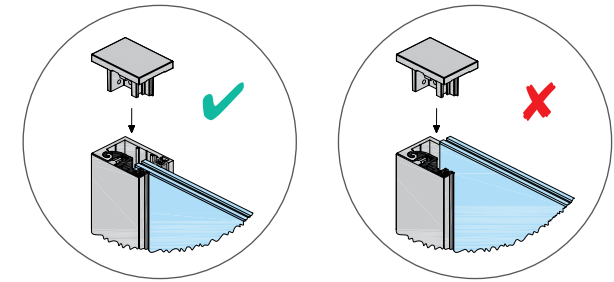
8 - Raise the hinge by 1 cm, close and lower. Profile must be flush.



9 - Insert the gasket and clip the claddings. Check that covers are properly clipped along their entire length.



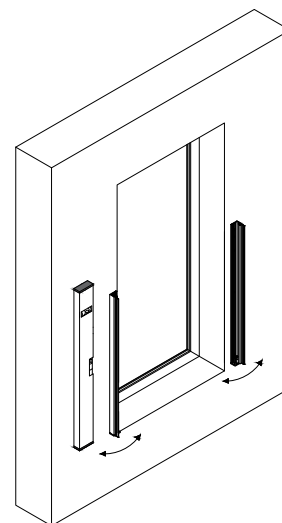
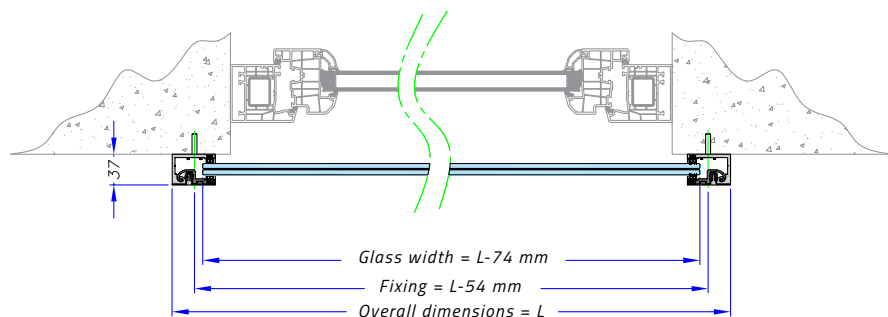
10 - Insert top end caps.



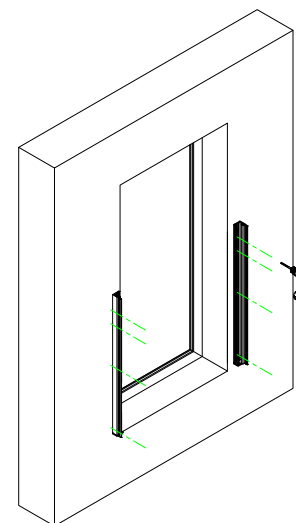


TOP MOUNTING - FROM OUTSIDE

Check support and profile leveling before glass layout.

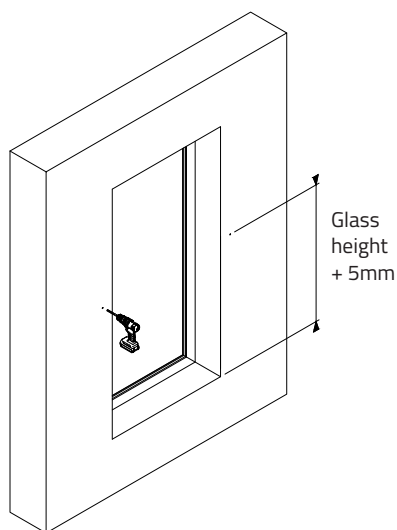


3 - Leveling 2 profiles.

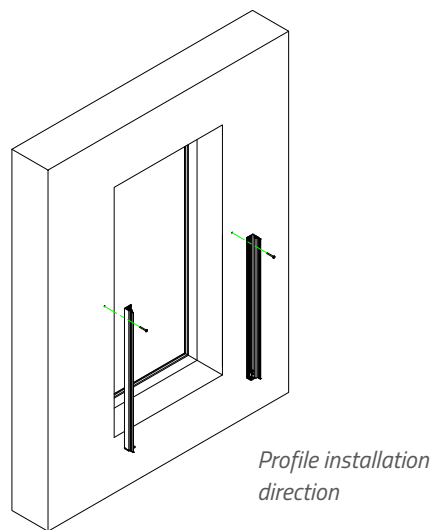


4 - Drill the other holes.

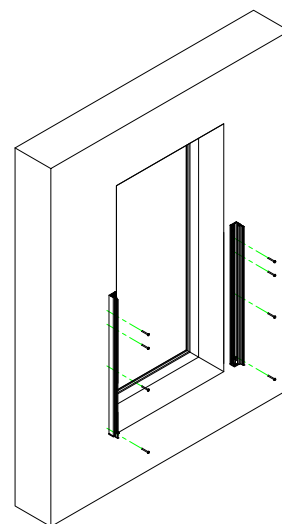
The number of holes depends on the support (refer to the drilling reference source p6).



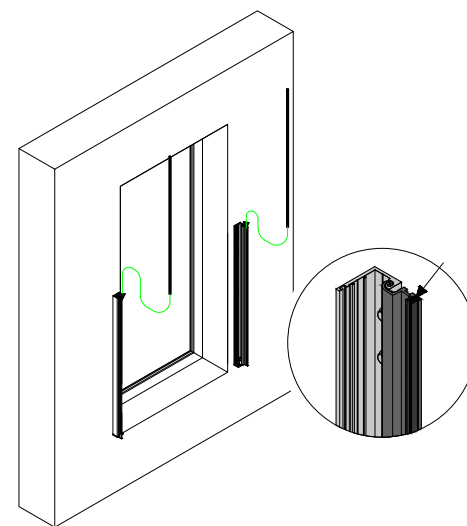
1 - Drill the 2 holes at the top of the support from each side of the window.



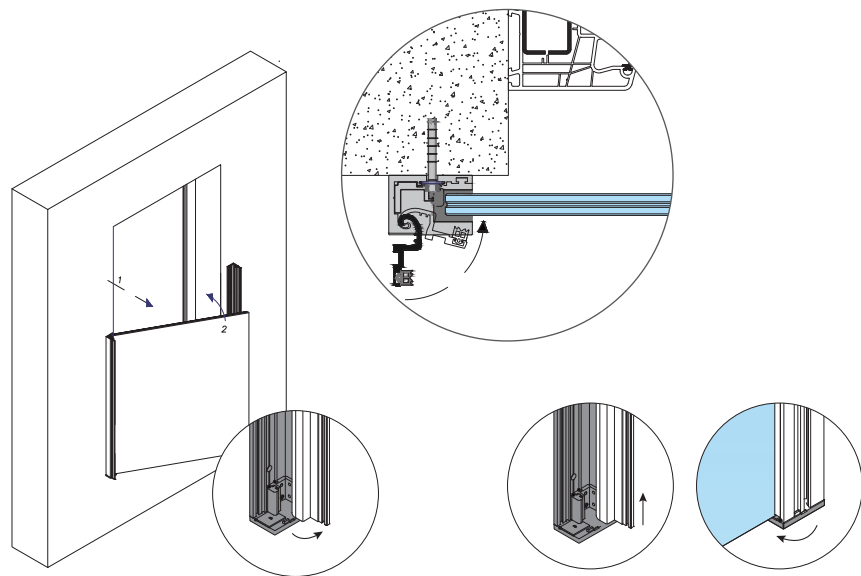
2 - Fasten the 2 screws leaving some slack



5 - Fasten all the screws on both side.

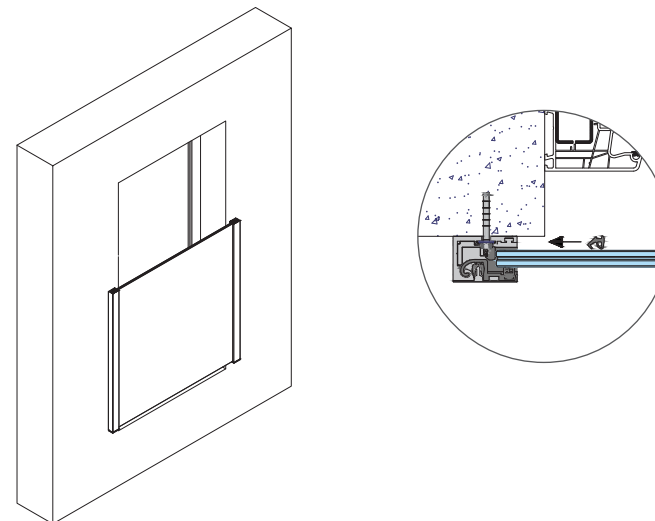


6 - Insert the right gasket corresponding to the glass thickness.

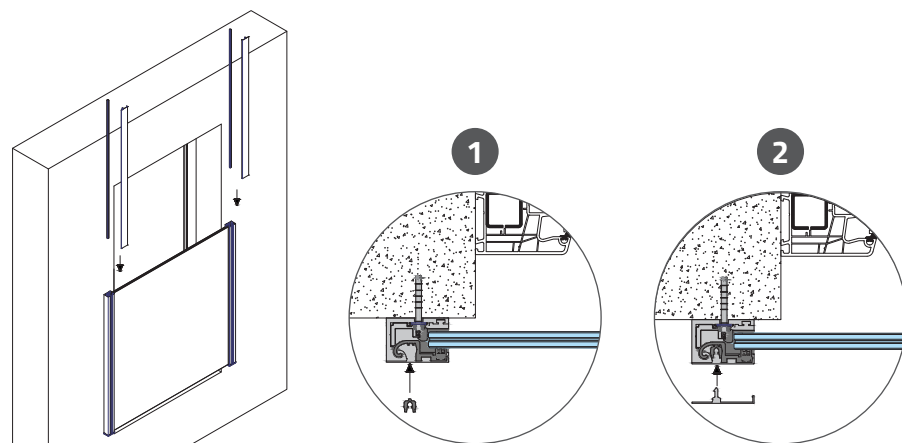


7 - Open the hinge and insert the glass using suction pads.

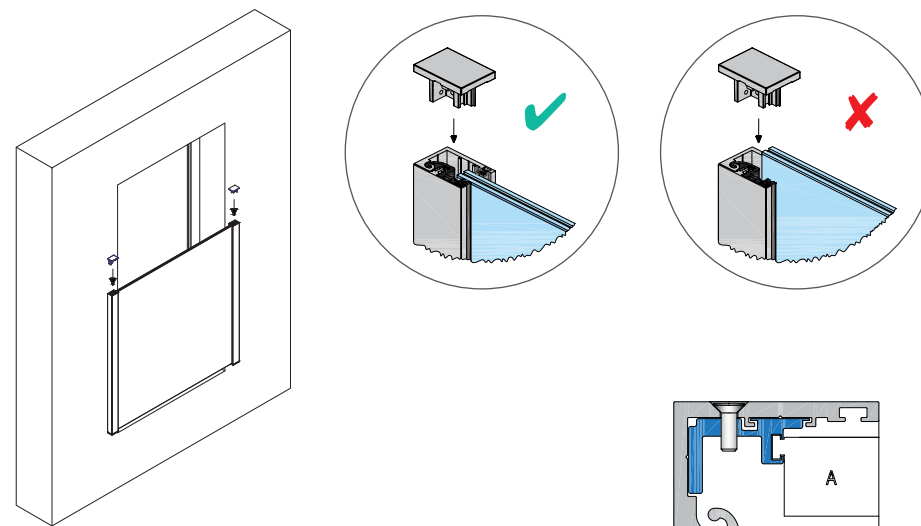
8 - Raise the hinge by 1 cm, close and lower. Profile must be flush.



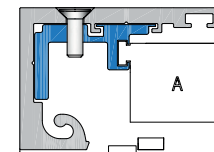
10 - Insert the gasket corresponding to the glass thickness, using the roller.



9 - Insert the gasket and clip the claddings. Check that covers are properly clipped along their entire length.



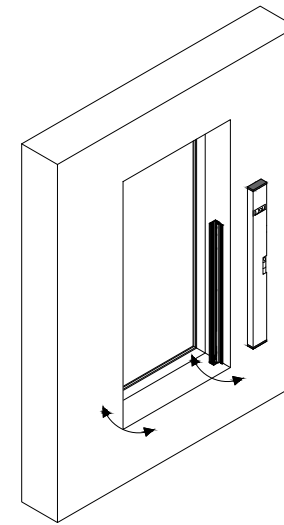
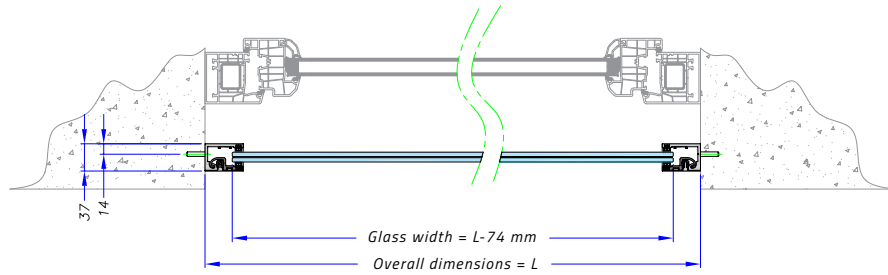
11 - Insert top end caps.



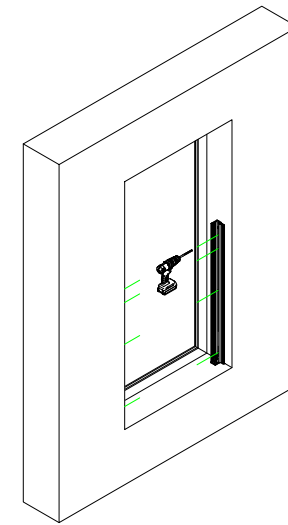


SIDE MOUNTING - FROM INSIDE & OUTSIDE

Check support and profile leveling before glass layout.

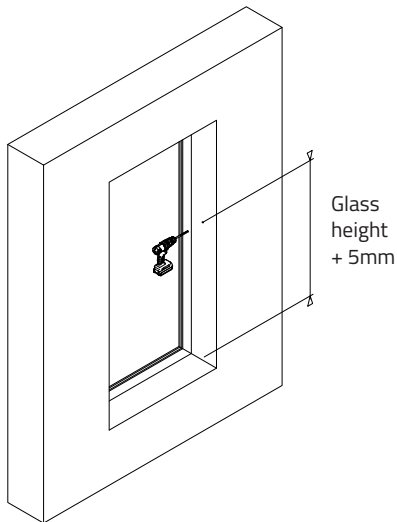


3 - Leveling 2 profiles.

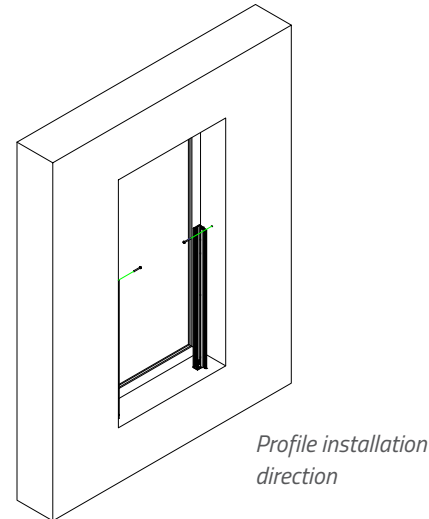


4 - Drill the other holes.

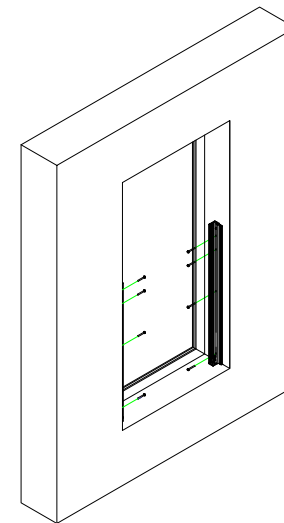
The number of holes depends on the support (refer to the drilling reference source p6).



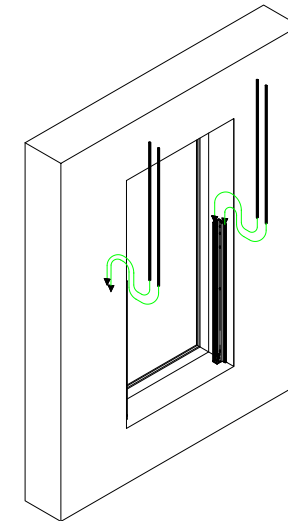
1 - Drill the 2 holes at the top of the support from each side of the window.



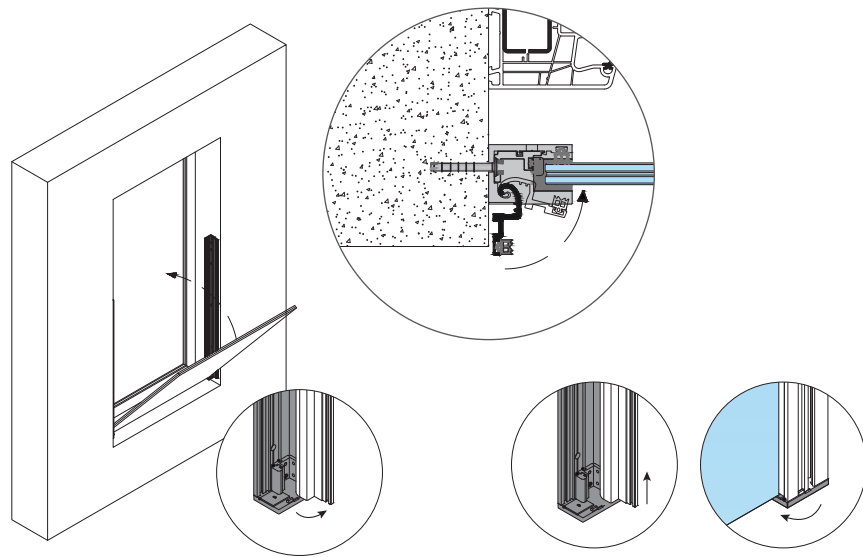
2 - Fasten the 2 screws leaving some slack.



5 - Fasten all the screws on both side.

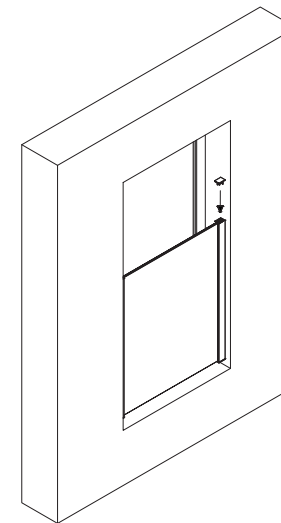


6 - Insert the right gasket corresponding to the glass thickness.

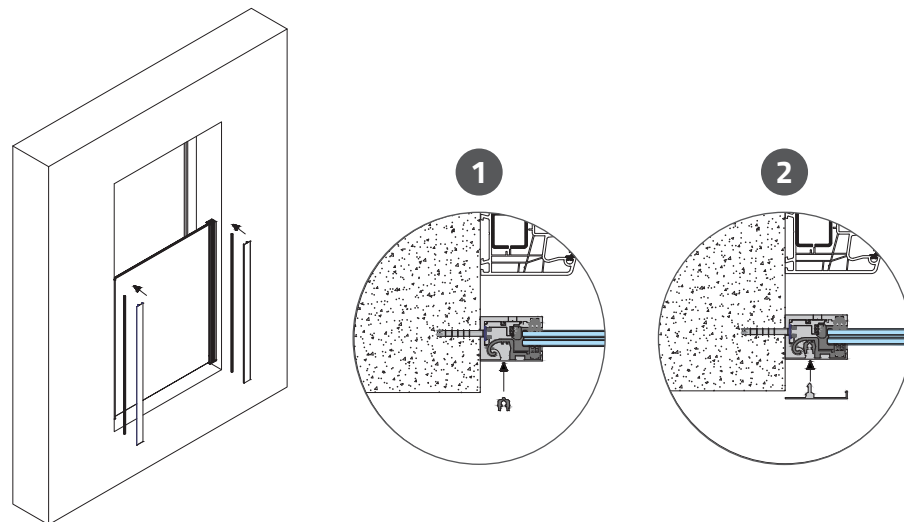
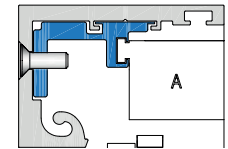
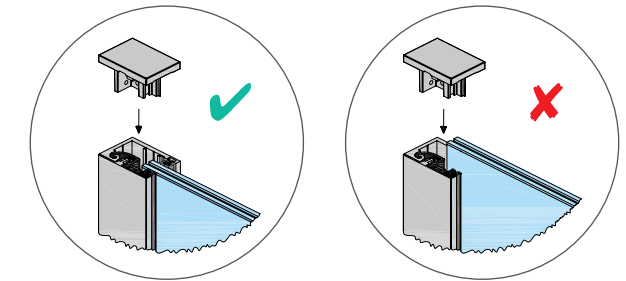


7 - Open the hinge and insert the glass using suction pads.

8 - Raise the hinge by 1 cm, close and lower. Profil must be flush.



10 - Insert top end caps.



9 - Insert the gasket and clip the claddings.
Check that covers are properly clipped along their entire length.

