

ASSEMBLY GUIDE

125WS HINGE

Individual or collective use

ORDER CONFORMITY

We advise you to read this manual completely and carefully before working on the equipment.

Using the delivery note, check the conformity of the delivery before any other intervention.

ACTIVATE YOUR PRODUCT WARRANTY

Register directly on our website
www.sadev.com/maintenance-and-warranty

Please read carefully and retain for future reference

FRENCH STANDARD RECOMMENDATION

The swimside product must be installed according to the swimming pool standard of the country. These recommendation are based on the French standard.

Any modification or degradation of the products of the company SADEV disengages the responsibility of our company. In no case your distributor or the manufacturer of this barrier can be held responsible for the fall or drowning of any person or animal.

- It is recommended to install the barrier at least 1m from the water.

For private pools for individual use, it is recommended not to install the barrier too far from the pool in order not to lose the effectiveness of the barrier.

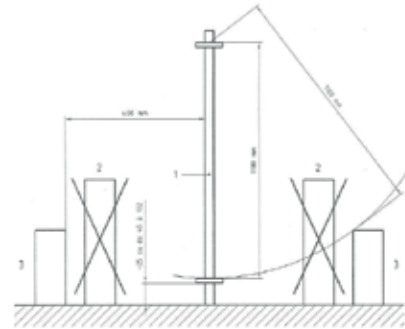
- When the protective barrier is combined with one or more walls, these walls must not allow access to the pool through their height (minimum 1.10 m between support points) or their own openings (doors and windows closed by a childproof device).

- Whatever the profile of the ground (slope, presence of steps, etc.), the height between two support points must always be 1.10 m once the protective barrier is installed.

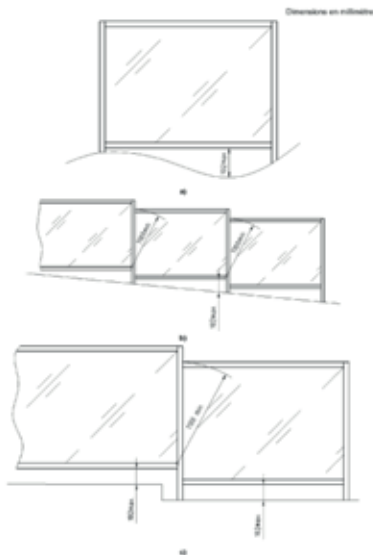
- It is imperative to change any deteriorated element (or set of elements).

- Avoid the presence of any fixed (low wall, etc.) or mobile support point and :
- on the external side of the barrier in relation to the pool: for all types of barriers (with bars or solid panels), ensure that there are no elements within a radius of 1.10 m;
- on the internal side of the barrier in relation to the pool: for barriers with bars only, ensure that there are no elements within 0.40 m of the barrier.

GROUND ANCHORING METHOD: the ground anchoring method must allow the permanent installation of the gate or pool barrier - the use of stainless steel screws is recommended.



Légende
1 Barrière
2 Non accessible
3 Accessoire



This barrier is intended to limit access to the pool to children under the age of five.

No type of protection will ever replace parental supervision and vigilance.

- The pool can be a serious danger for your children. Drowning can happen very quickly. Children near a pool require your constant vigilance and active supervision, even if they can swim;
- This barrier is not a substitute for common sense or individual responsibility. This barrier is not a substitute for common sense or individual responsibility. It is not intended to replace the vigilance of responsible adults, which remains the essential factor for the protection of young children. The means of access must be systematically closed in case of absence, even momentary, from home;
- In case of damage, take all measures to prevent young children from accessing the pool until the barrier or the means of access is repaired when a malfunction is observed or when the barrier is dismantled to prevent the pool from being secured;
- The presence of a parent and/or a responsible adult is essential when the pool is open.



- Learn life-saving skills;
- Memorize and post near the pool the first aid numbers
- Firemen;
- Poison control center.
- Caution! Safety is only guaranteed when the access door is closed and locked;
- Check that there are no objects near the barrier that could encourage or facilitate climbing the barrier;
- The closing of the means of access for self-closing systems must be systematically checked.
- The means of access must be systematically closed in the event of even momentary absence of supervision.

MAINTENANCE

It is imperative to replace any deteriorated element or set of elements as soon as possible. Only use parts approved by the supplier/installer.

For the maintenance of our parts, please refer to our Aluminium maintenance manual available on sadev.com

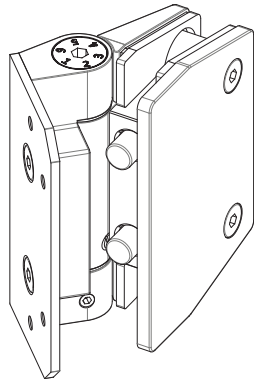
Product description



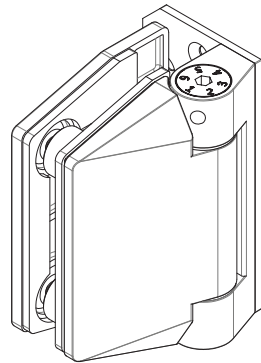
**SAFETY HINGE
SELF-CLOSING FOR
SWIMMING POOL FENCE -
GLASS TO WALL**

Ref. 125WS

KIT OF 2 HINGES



INTERIOR SIDE



EXTERIOR SIDE

SOMMAIRE

A	PREPARATION OF THE HINGE AND THE SUPPORT	6
B	FIXING THE HINGES IN THE GLASS	7
C	FIXING THE HINGES IN THE SUPPORT	8
D	CLOSING SPEED ADJUSTMENT	9
E	FIXING THE SAFETY CAP	10
?	FAQ'S	12

RECOMMENDATIONS

The installation of the protective barrier must comply with these installation instructions, as well as the precautions for use and safety. Any modification or damage to the products of SADEV disengages the responsibility of our company.

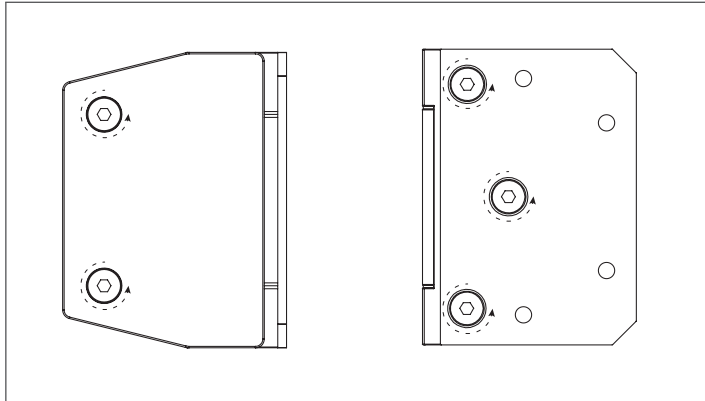
Available on sadev.com

Tools required for assembly

- **ALLEN KEY**
- **DYNAMOMETRIC SCREWDRIVER PACK + TORX BIT**
Ref.: 007-TRVS-1.4 NM - Tightening torque: 1.4 Nm
- **LEVEL TOOL**
- **WEDGES FOR THE GLASS**

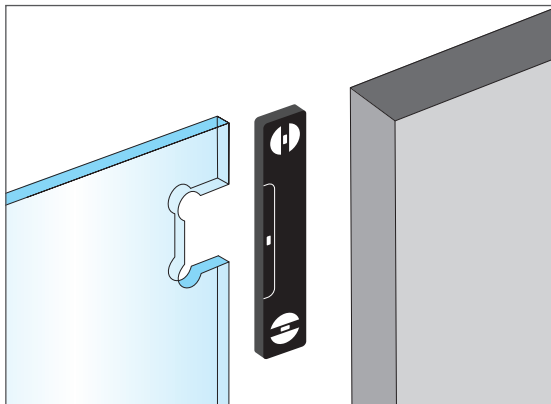
Glass composition	Glazing thickness [min.; max.]
5.5/2 (10 mm)	10 > 10.76 mm
6.6/2 (12 mm)	12 > 12.76 mm

A PREPARATION OF THE HINGE AND THE SUPPORT



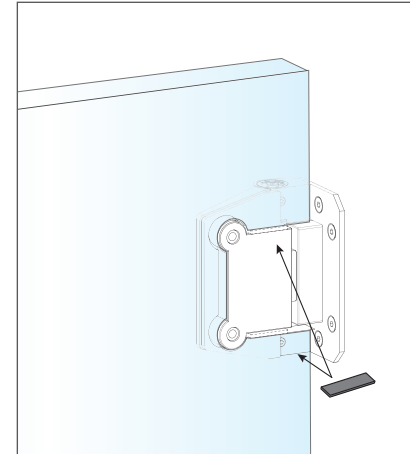
1 - Remove all screws.

The hinges are packaged to fit 12mm glass (panels, door and hinge). If 10mm glass is used for the door, install the thicker gasket on the door side (gasket provided in the box).



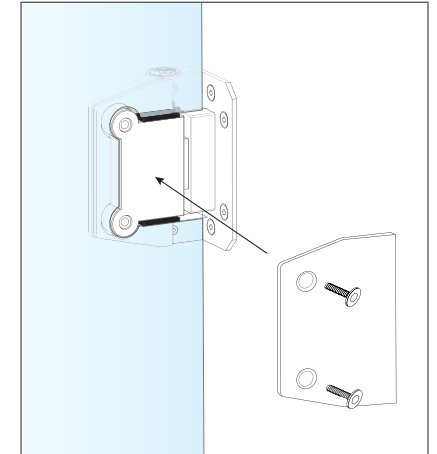
2 - Make sure the wall and all glass side panels are plumb and level.

B FIXING THE HINGES IN THE GLASS



1 - Mount the two hinges in the cut-outs of the gate with the screws on the inside. The hinges must be mounted in the center of the of the cut-out.

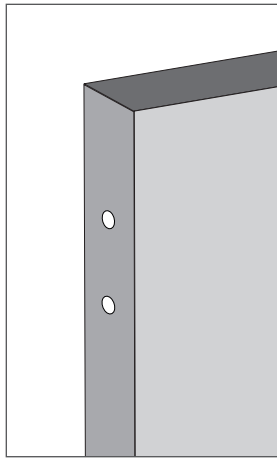
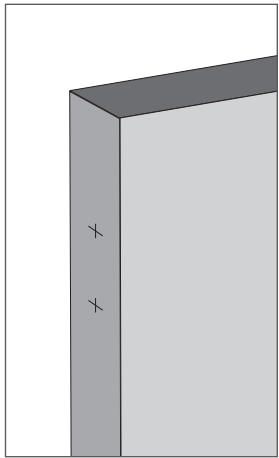
The correct height adjustment of the hinges is done with the packers supplied, and avoids any risk of the panel falling off. The top packer is mandatory!
Use the supplied anti-seize paste on all fasteners for proper stainless steel installation.



2 - Making sure that the gaps are correct and that the plugs are properly positioned, screw the edge plates with the seals in place.

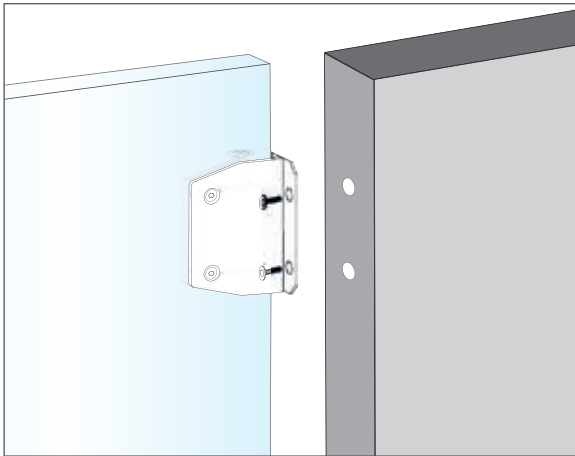
Hinges should be mounted straight and parallel. Using blocks and shims, place the gate in position, aligning the gate height with the glass side panel.

C FIXING THE HINGES IN THE SUPPORT



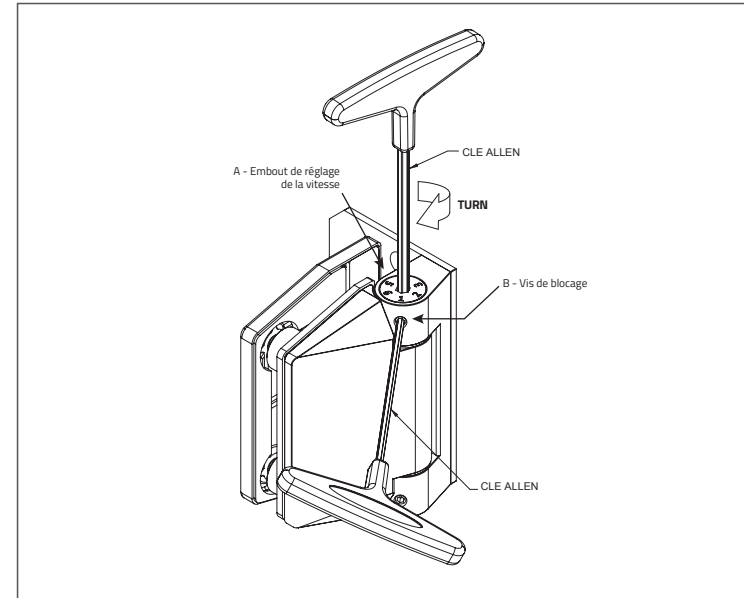
1 - Mark and drill the holes in the wall.

All the weight of the gate is on the wall! To keep the gate level, adjust the number of packers. Make sure the glass does not hit the metal parts or the wall, hence the need to use the top packer.



2 - Fix the two hinges in the wall with the screws.

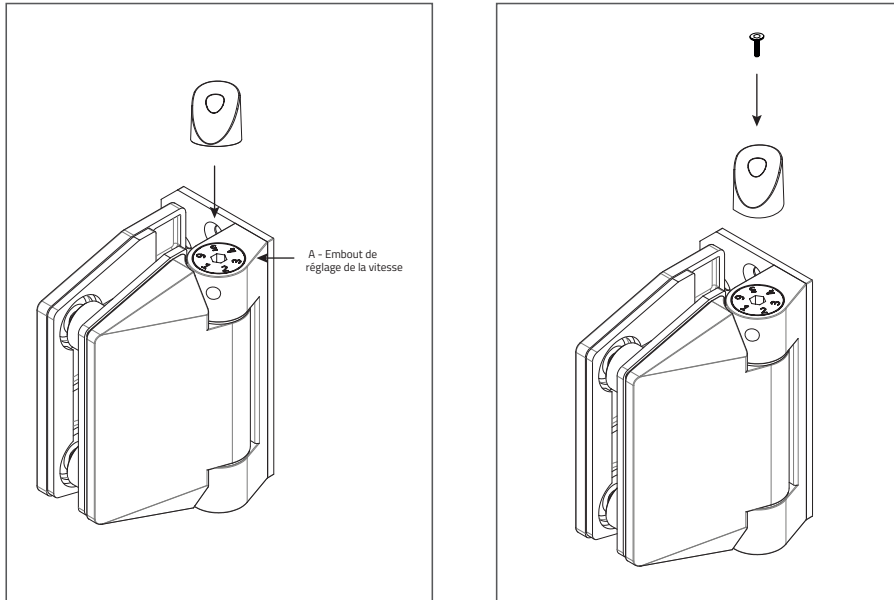
D CLOSING SPEED ADJUSTMENT



- 1 - Loosen to relieve some of the tension on the speed adjustment spindle (A).
- 2 - Loosen the locking screw (B).
- 3 - Adjust the speed using the adjustment tip (clockwise to increase the tension and therefore the speed (A)).

**Make sure the locking screw is aligned with a number, then tighten it.
Test the closing action and readjust if necessary by repeating the step.**

E FIXING THE SAFETY CAP



- 1 - The safety cap must be installed on the top of the hinges.
It prevents the hinge from being a fulcrum to meet pool safety standards.
Use the allen screw to attach the safety cap to the speed control spigot (A).

? FAQ'S

- 1 **POOL GATE DOES NOT CLOSE AUTOMATICALLY:**
 - Make sure all panels are plumb.
 - Make sure the locking screw (B) is not disengaged.
 - Make sure hinges are mounted square and parallel to each other.
- 2 **POOL GATE WILL NOT CLOSE:**
 - Make sure the dampers do not interfere with closing, adjust the speed control knob (A).
- 3 **POOL GATE SLAMS:**
 - Make sure all shocks are working. Adjust the speed control knob (A).
- 4 **POOL GATE CLOSING TOO SLOWLY:**
 - Make sure all panels are plumb. Adjust speed control knob (A).
- 5 **POOL GATE SAGS :**
 - Identify where the «movement» is when you lift the gate.
Is the gap between the fixed glass and the gate glass constant from top to bottom?
 - Make sure the hinges are placed in the cutouts in the glass.



ASSEMBLY GUIDE 125WS HINGE

Disponible sur [sadev.com](https://www.sadev.com) 



76 Chemin des Poses | 74330 POISY | FRANCE |
Tél. : +33 (0)4 50 08 39 00 | info@sadev.com | www.sadev.com