

# THE GLASS BALUSTRADES FOR HOUSING & OFFICES



# OPTIMAL

BY ITS **PRICE**

BY ITS **COMPACTNESS**

BY ITS **PERFORMANCE**

## Its design is minimalist like its price!

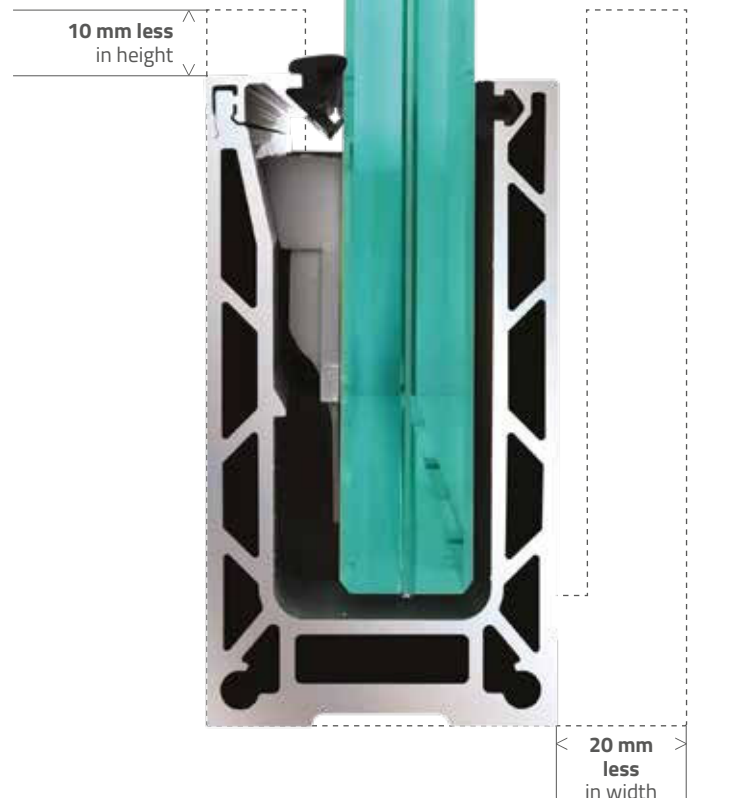
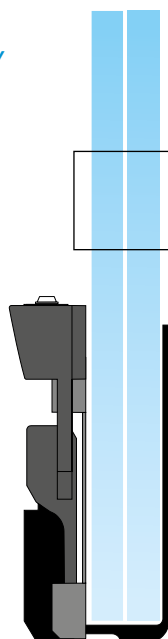
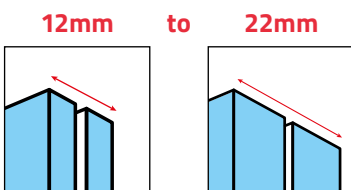
This new **OSF rail** is the narrowest in its category: **55 mm wide**, the most efficient on the market with this compactness. It can be used to create guardrails that meet ERP standards. Glass thicknesses range from **12 to 22 mm**.

**For a price defying all competition!**

TESTED & APPROVED 

## WIDE COMPATIBILITY OF GLASS

Glass: **from 12 to 22mm**  
**Monolithic or laminated**



# SIMPLE

TO ORDER

TO STORE

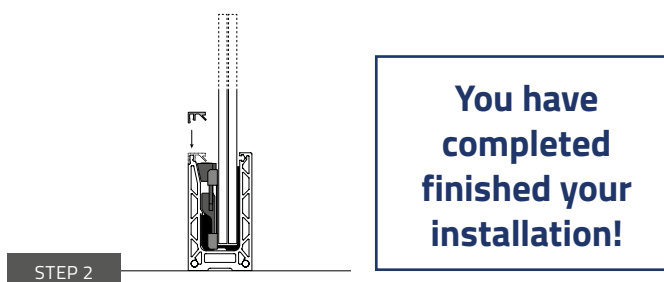
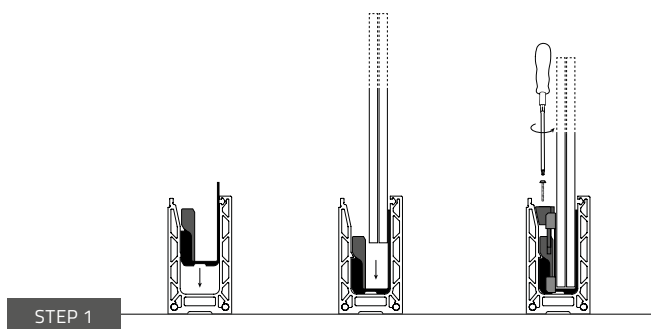
**TO INSTALL**

Less accessories... **Your order is simplified.**  
Its weight and size **optimize its storage.**

**Easy to install from one side only!**

**Installation is quick and easy in two steps:**

- first, you have to put the wedge in position and tighten it, on one side of the glass (ONE SIDE),
- the second and final step is to install the single cover and gasket.



## INSTALL, IT'S FIXED!

### 1 ONE SIDE ONE STEP!



Optimize your installation times even more!  
Very fast tightening, on one side only.

### 2 CLADDING WITH GASKET

Only one cladding to fix



# FLEXIBLE

BY ITS **TYPES OF MOUNTINGS**

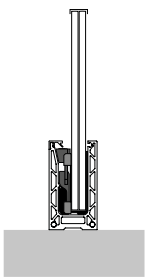
BY ITS SUPPORTS

BY ITS APPLICATIONS

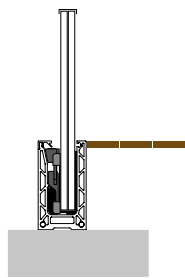
## Flexible, it adapts to all situations!

The OSF system can be used in many different installation configurations: **floor, recessed, lateral, inverted lateral, curved, rampant...**

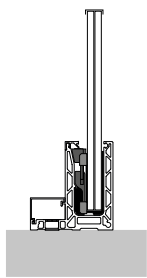
It can be fixed on all structures (concrete, wood, metal), and meets the requirements of private and public applications.



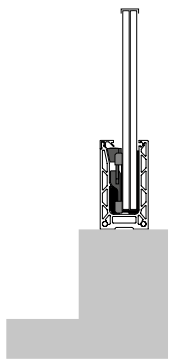
**FLOOR MOUNTING**



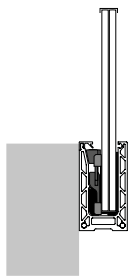
**BUILT-IN-SLAB MOUNTING**



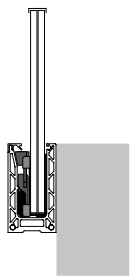
**OFFSET FLOOR MOUNTING**



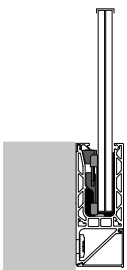
**ACROTERION MOUNTING**



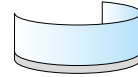
**LATERAL MOUNTING**



**LATERAL INVERTED SIDE MOUNTING**

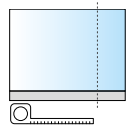


**OFFSET LATERAL MOUNTING**



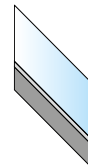
**CURVED**

Curved railings. Bending is possible from a minimum radius of 1 meter.



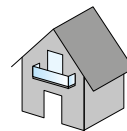
**TAILOR MADE**

The OSF system adapts to corners.

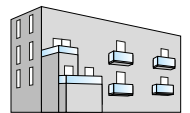


**INCLINE**

Up to 40° angle to the horizontal.

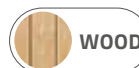


**PRIVATE**



**PUBLIC**

Compatible with all structures



# OPTIMAL, SIMPLE, FLEXIBLE... AND ECOLOGICAL!



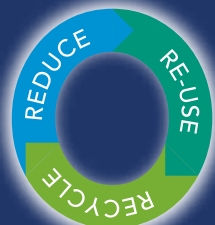
Packaging &  
recyclable product

Our wedges are made  
with **100% recycled ABS plastic**  
(*Acrylonitrile Butadiène Styrene*).

At each end of life of our holds,  
this material is recovered and mixed  
with virgin ABS to make new products.



Our patented  
systems are  
**made in France.**



## SUSTAINABLE, a priority

**Our products** are designed  
**to be sustainable**, not only  
through **their performance**  
but also through the **choice**  
of **materials used**.



Form of  
Declaration  
Environmental and  
Sanitary Declaration

# FLOOR MOUNTING

## PROFILE 0970

GLASS THICKNESS  
12.4 > 21.6 mm



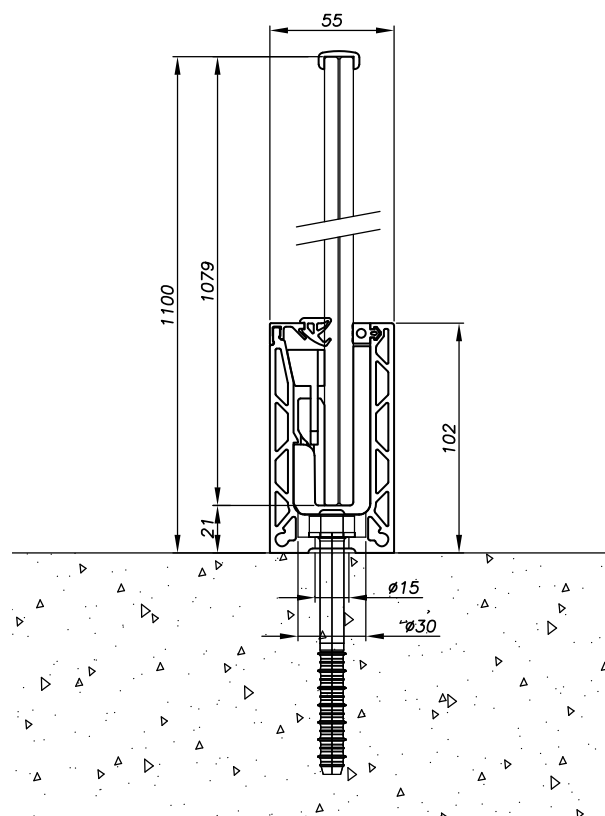
APPLICATION | RESIDENTIAL | PUBLIC |

POSSIBLE FINISHES



### TECHNICAL CHARACTERISTICS

Length	3 000 mm (0090SF-R70) 6 000 mm (0090SF-R80)
Width	55 mm
Height of profile	102 mm
Material	Anodized aluminum 20 µm
Type of application	Residential / public
Type de mounting	Floor, acroterion
Thickness of glass	Laminated : 6.6 (12.4 > 13.9 mm) 8.8 (16.2 > 17.6 mm) 10.10 (21.2 > 21.6 mm)
Height of guardrail	1 100 mm
Profile finish	Anodized aluminum RAL - black
Fixing the profile	Every 300 mm



### CERTIFICATIONS



## ONE SIDE FIXE WEDGES

### Glasses: 6.6

Glass thickness: 12.4 > 13.9  
Ref.: 009OSF-K12-0606

### Glasses: 8.8

Glass thickness: 16.2 > 17.6  
Ref.: 009OSF-K12-0808

### Glasses: 10.10

Glass thickness: 21.2 > 21.6  
Ref.: 009OSF-K12-1010

## CLADDING GASKET

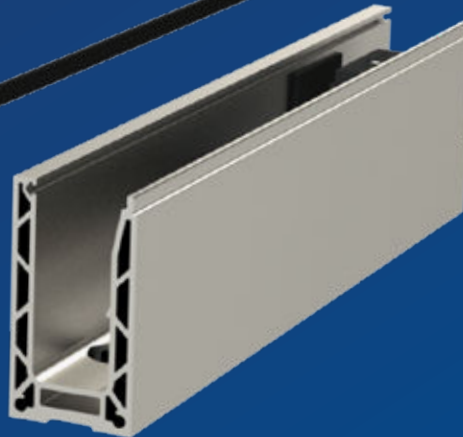
### SNAP-FIT



Ref.: 009JC0809A-N



Ref.: 009JC0309A-N



## END CAP

Ref. : 009OSF-CEC01

## HIGH CLADDING

Ref.: 009OSF-C310  
Length: 3 m

Ref.: 009OSF-C610  
Length: 6 m



## CLADDING GASKET

### PRESS-IN

**Glasses: 06.06**  
Ref.: 009JOINT0606

**Glasses: 08.08**  
Ref.: 009JOINT0808

**Glasses: 10.10**  
Ref.: 009JOINT1010



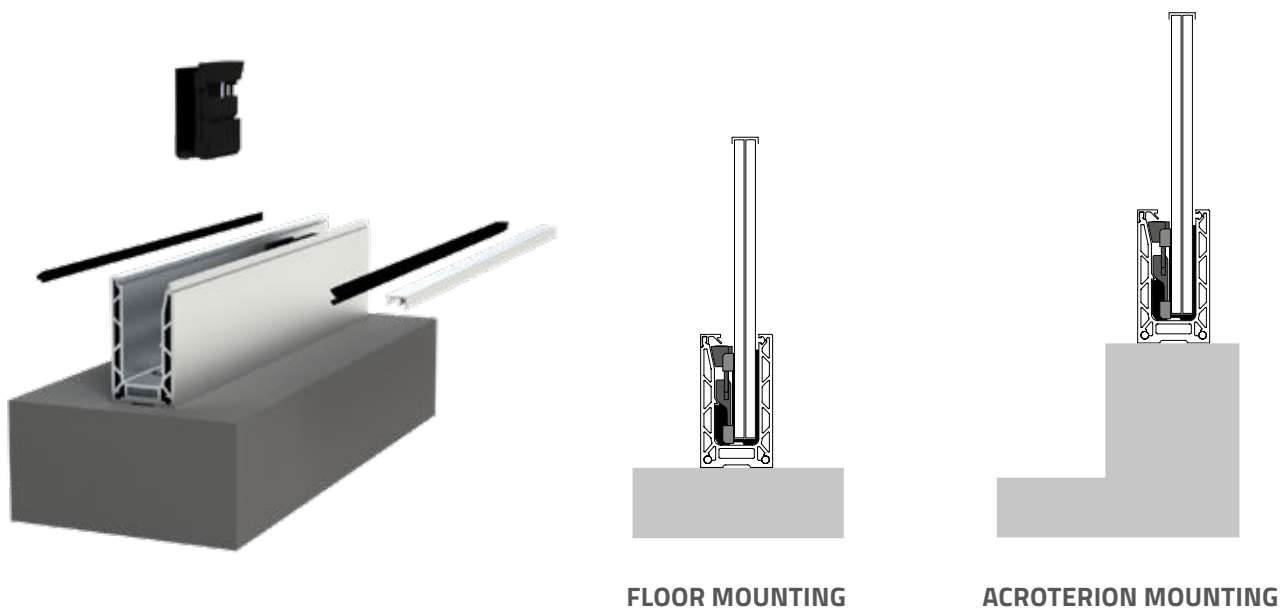
## CUSTOMIZE YOUR FINISHES



**ANODIZED ALUMINUM**  
Code: 01

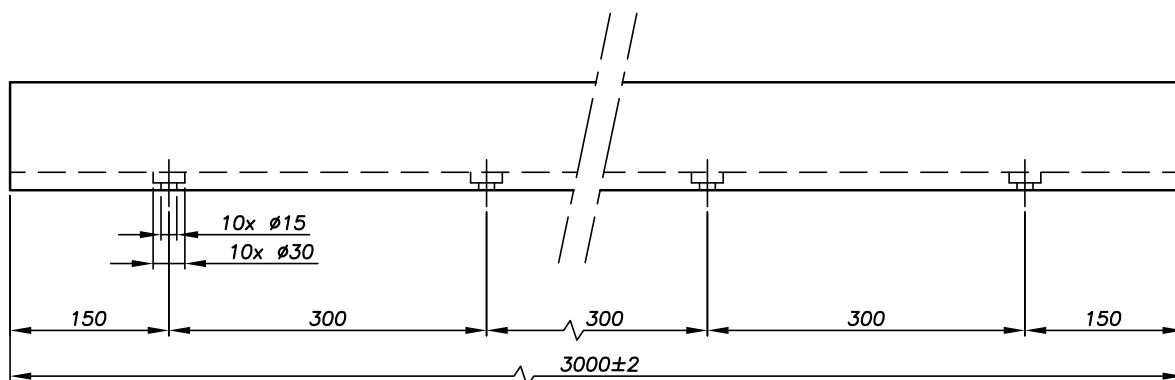


**RAL**  
Code : 03

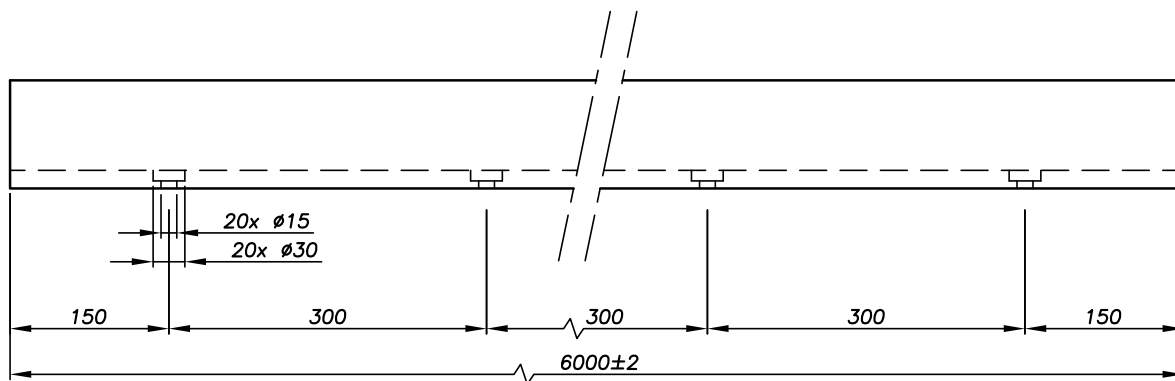


TECHNICAL PLANS

► **3 000 mm - Reference 0090SF-R70**



► **6 000 mm - Reference 0090SF-R80**







# BUILT-IN-SLAB MOUNTING

## PROFILE 0970

GLASS THICKNESS  
12.4 > 21.6 mm



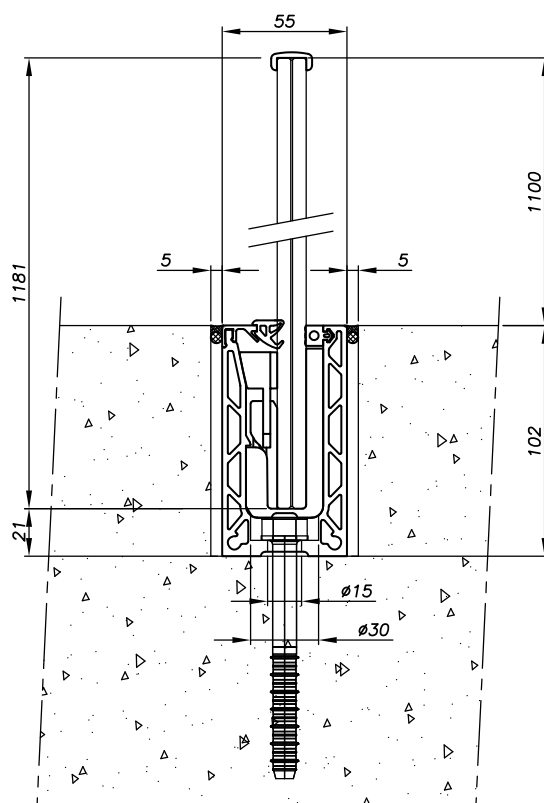
APPLICATION | RESIDENTIAL | PUBLIC |

POSSIBLE FINISHES



### TECHNICAL CHARACTERISTICS

Length	3 000 mm (0090SF-R70) 6 000 mm (0090SF-R80)
Width	55 mm
Height of profile	102 mm
Material	Anodized aluminum 20 µm
Type of application	Residential / public
Type de mounting	Built-in-slab
Thickness of glass	Laminated : 6.6 (12.4 > 13.9mm) 8.8 (16.2 > 17.6mm) 10.10 (21.2 > 21.6mm)
Height of guardrail	1 100 mm
Profile finish	Anodized aluminum RAL - black
Fixing the profile	Tous les 300 mm



### CERTIFICATIONS



## ONE SIDE FIXE WEDGE

### Glasses: 6.6

Glass thickness: 12.4 > 13.9  
Ref.: 009OSF-K12-0606

### Glasses: 8.8

Glass thickness: 16.2 > 17.6  
Ref.: 009OSF-K12-0808

### Glasses: 10.10

Glass thickness: 21.2 > 21.6  
Ref.: 009OSF-K12-1010

## CLADDING GASKET

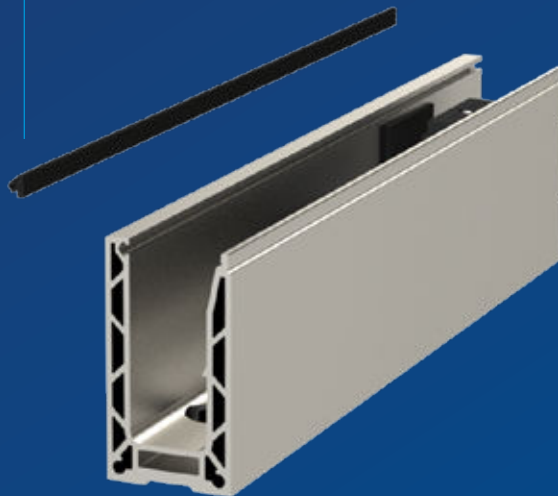
### SNAP-FIT



Ref.: 009JC0809A-N



Ref.: 009JC0309A-N



## HIGH CLADDING

Ref.: 009OSF-C310  
Length: 3 m

Ref.: 009OSF-C610  
Length: 6 m



## CLADDING GASKET

### PRESS-IN

Glasses: 06.06  
Ref.: 009JOINT0606

Glasses: 08.08  
Ref.: 009JOINT0808

Glasses: 10.10  
Ref.: 009JOINT1010



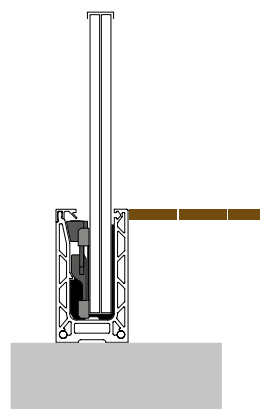
## CUSTOMIZE YOUR FINISHES



ANODIZED ALUMINUM  
Code: 01



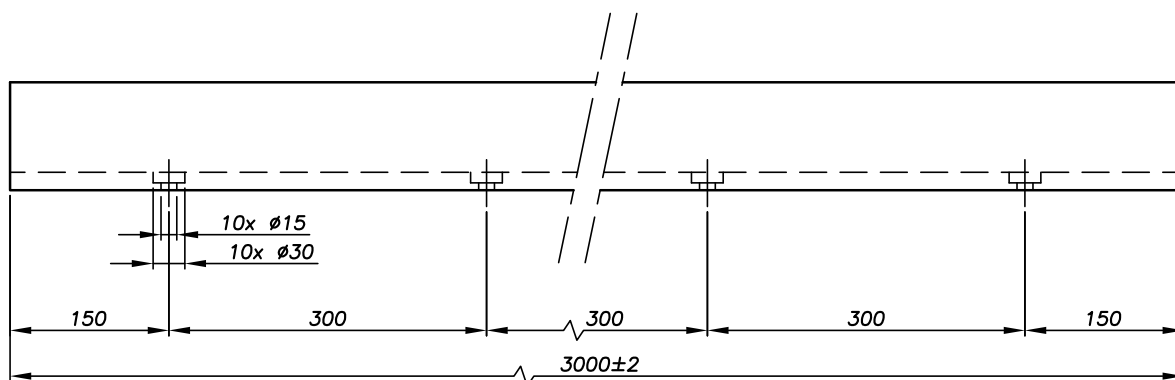
RAL  
Code: 03



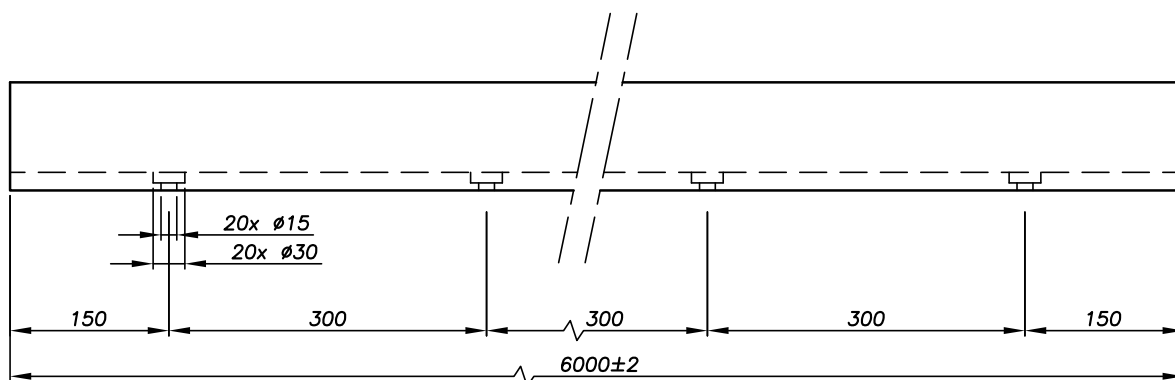
**BUILT-IN-SLAB MOUNTING**

TECHNICAL PLANS

► 3 000 mm - Reference **0090SF-R70**



► 6 000 mm - Reference **0090SF-R80**





# LATERAL MOUNTING

## PROFILE 0971

GLASS THICKNESS  
12.4 > 21.6 mm



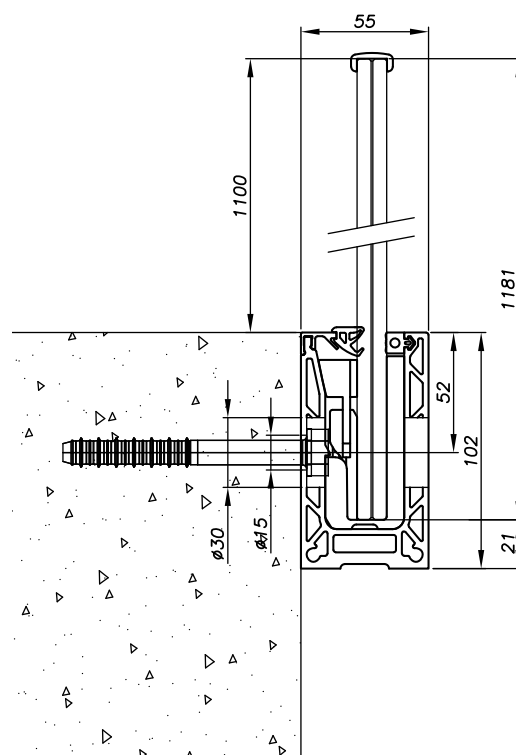
APPLICATION | RESIDENTIAL | PUBLIC |

POSSIBLE FINISHES



### TECHNICAL CHARACTERISTICS

Length	3 000 mm (0090SF-R71) 6 000 mm (0090SF-R81)
Width	55 mm
Height of profile	102 mm
Material	Anodized aluminum 20 µm
Type of application	Residential / public
Type de mounting	Lateral
Thickness of glass	Laminated : 6.6 (12.4 > 13.9mm) 8.8 (16.2 > 17.6mm) 10.10 (21.2 > 21.6mm)
Height of guardrail	1 100 mm
Profile finish	Anodized aluminum RAL - black
Fixing the profile	Every 300 mm



### CERTIFICATIONS



## ONE SIDE FIXE WEDGE

### Glasses: 6.6

Glass thickness: 12.4 > 13.9  
Ref.: 0090SF-K12-0606

### Glasses: 8.8

Glass thickness: 16.2 > 17.6  
Ref.: 0090SF-K12-0808

### Glasses: 10.10

Glass thickness: 21.2 > 21.6  
Ref.: 0090SF-K12-1010

## CLADDING GASKET

### SNAP-FIT



Ref.: 009JC0809A-N



Ref.: 009JC0309A-N



## HIGH CLADDING

Ref.: 0090SF-C310  
Length: 3 m

Ref.: 0090SF-C610  
Length: 6 m

## CLADDING GASKET

### PRESS-IN

**Glasses: 06.06**  
Ref.: 009JOINT0606

**Glasses: 08.08**  
Ref.: 009JOINT0808

**Glasses: 10.10**  
Ref.: 009JOINT1010

## HOLE PLUG

Ref.: 007BOU-D30-G  
007BOU-D30-N

## END CAP

Ref.: 0090SF-CECLD01  
0090SF-CECLG01



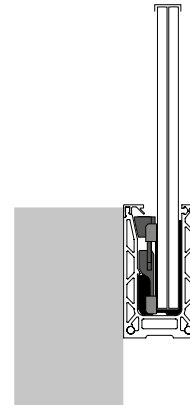
## CUSTOMIZE YOUR FINISHES



**ANODIZED ALUMINUM**  
Code: 01



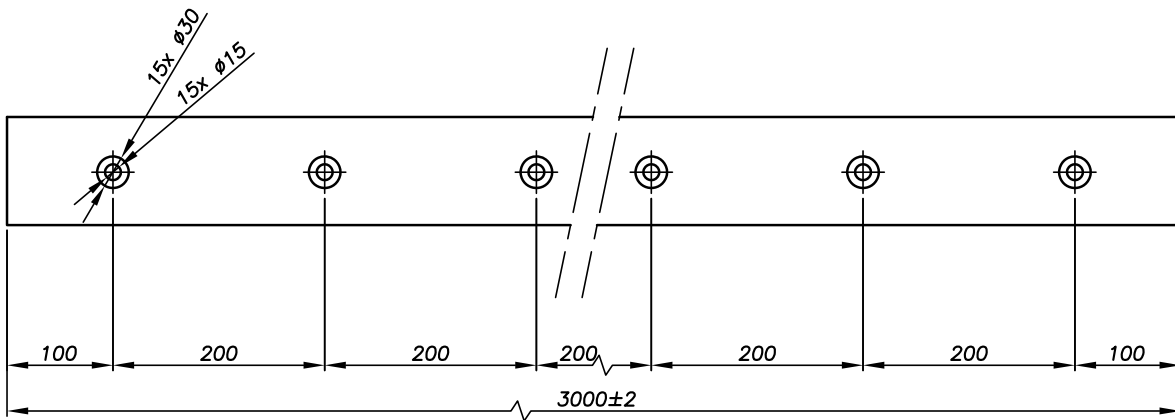
**RAL**  
Code: 03



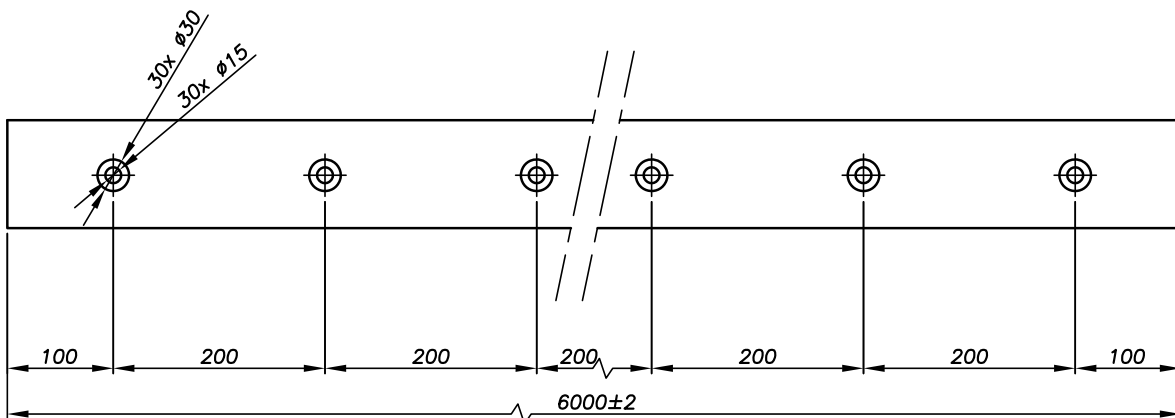
LATERAL MOUNTING

TECHNICAL PLANS

► 3 000 mm - Reference **0090SF-R71**



► 6 000 mm - Reference **0090SF-R81**







# OFFSET FLOOR MOUNTING

## PROFILE 0977

GLASS THICKNESS  
12.4 > 21.6 mm



APPLICATION | RESIDENTIAL | PUBLIC |

POSSIBLE FINISHES

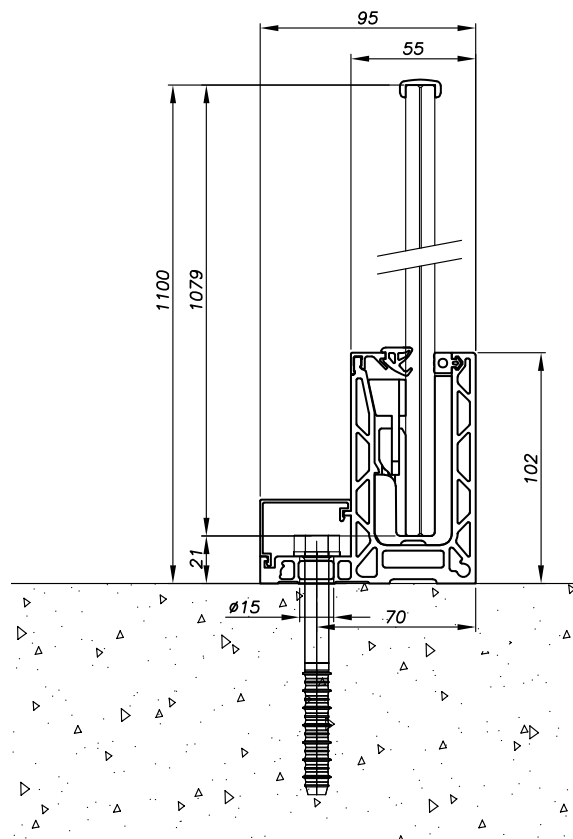


OPTION  
with  
cladding

### TECHNICAL CHARACTERISTICS

Length	3 000 mm (0090SF-R77) 6 000 mm (0090SF-R87)
Width	95 mm
Height of profile	102 mm
Material	Anodized aluminum 20 µm
Type of application	Residential / public
Type de mounting	Offset floor
Thickness of glass	Laminated : 6.6 (12.4 > 13.9mm) 8.8 (16.2 > 17.6mm) 10.10 (21.2 > 21.6mm)
Height of guardrail	1 100 mm
Profile finish	Anodized aluminum RAL - black
Fixing the profile	Every 300 mm

### CERTIFICATIONS



## ONE SIDE FIXE WEDGE

### Glasses: 6.6

Glass thickness: 12.4 > 13.9  
Ref.: 009OSF-K12-0606

### Glasses: 8.8

Glass thickness: 16.2 > 17.6  
Ref.: 009OSF-K12-0808

### Glasses: 10.10

Glass thickness: 21.2 > 21.6  
Ref.: 009OSF-K12-1010

## CLADDING GASKET

### PRESS-IN

#### Verres : 06.06

Ref. : 009JOINT0606

#### Verres : 08.08

Ref. : 009JOINT0808

#### Verres : 10.10

Ref. : 009JOINT1010

### SNAP-FIT



Ref. : 009JC0809A-N



Ref. : 009JC0309A-N

## HIGH CLADDING

Ref.: 009OSF-C310  
Length: 3 m

Ref.: 009OSF-C610  
Length: 6 m

## OPTION CLADDING

Ref. : 009OSF-C377  
Length : 3 m

Ref. : 009OSF-C677  
Length : 6 m

## END CAP

Ref. : 009OSF-CE77AD

Ref. : 009OSF-CE77AG

Ref. : 009OSF-CE77BD

Ref. : 009OSF-CE77BG

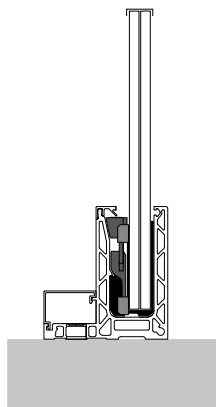
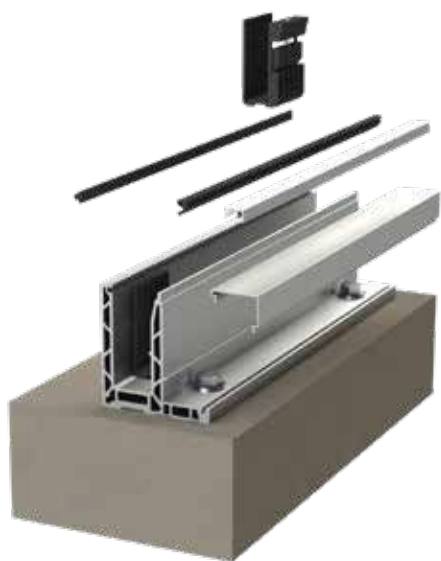
## CUSTOMIZE YOUR FINISHES



**ANODIZED ALUMINUM**  
Code: 01



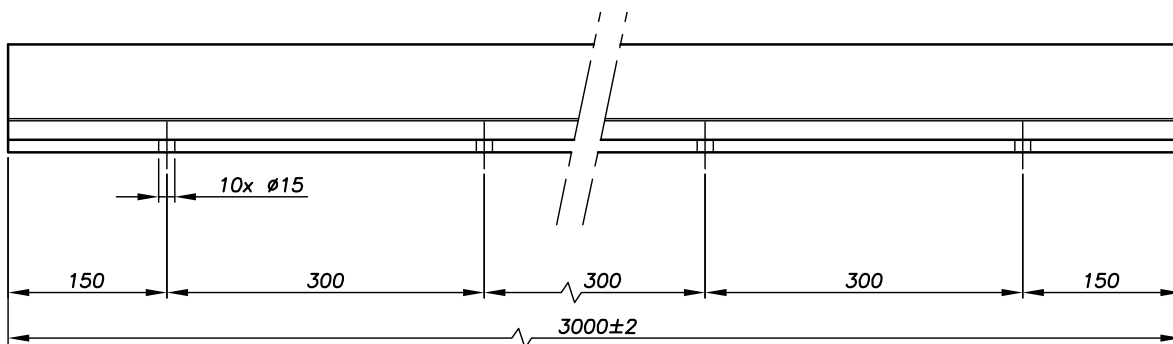
**RAL**  
Code : 03



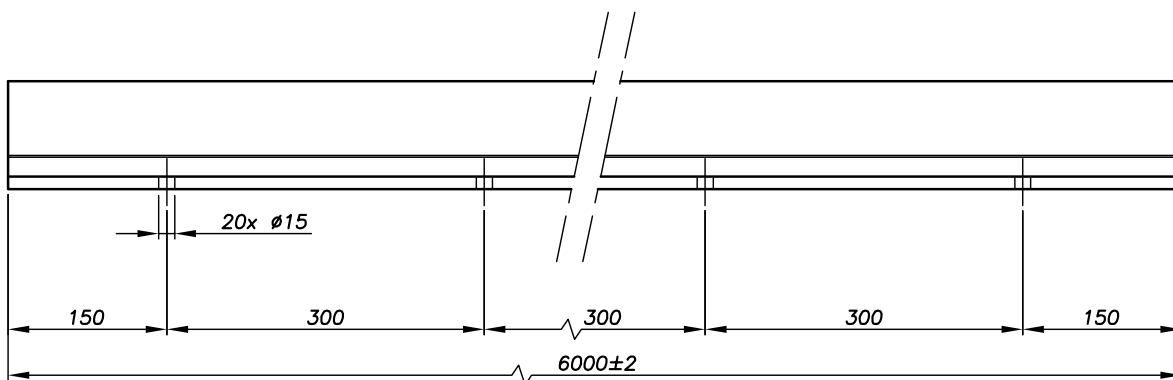
OFFSET FLOOR MOUNTING

TECHNICAL PLANS

► 3 000 mm - Reference **0090SF-R77**



► 6 000 mm - Reference **0090SF-R87**





AVAILABLE SOON

# OFFSET LATERAL MOUNTING

# PROFILE 0973

GLASS THICKNESS  
12.4 > 21.6 mm



APPLICATION | RESIDENTIAL | PUBLIC |

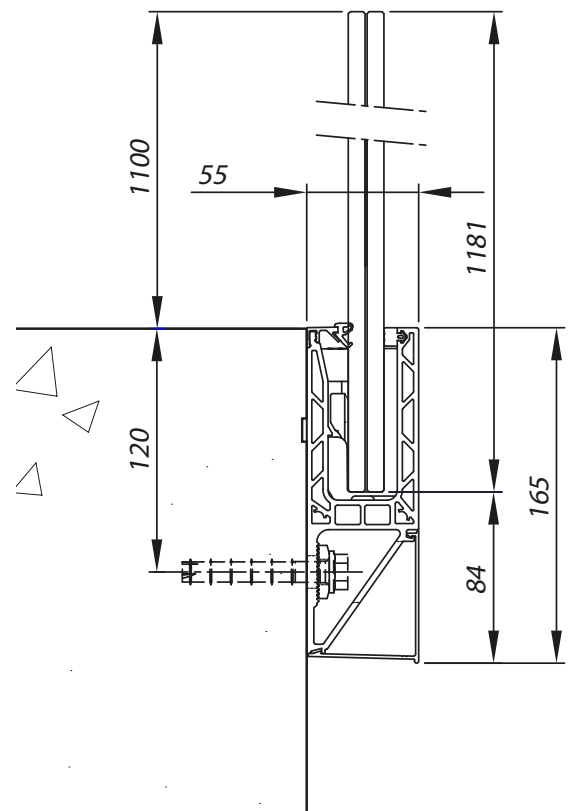
POSSIBLE FINISHES



OPTION with cladding

## TECHNICAL CHARACTERISTICS

Length	3 000 mm (0090SF-R73) 6 000 mm (0090SF-R83)
Width	55 mm
Height of profile	165 mm
Material	Anodized aluminum 20 µm
Type of application	Residential / public
Type de mounting	Offset lateral
Thickness of glass	Laminated : 6.6 (12.4 > 13.9 mm) 8.8 (16.2 > 17.6 mm) 10.10 (21.2 > 21.6 mm)
Height of guardrail	1 100 mm
Profile finish	Anodized aluminum RAL - black
Fixing the profile	Every 300 mm



## CERTIFICATIONS



## ONE SIDE FIXE WEDGE

### Glasses: 6.6

Glass thickness: 12.4 > 13.9  
Ref.: 0090SF-K12-0606

### Glasses: 8.8

Glass thickness: 16.2 > 17.6  
Ref.: 0090SF-K12-0808

### Glasses: 10.10

Glass thickness: 21.2 > 21.6  
Ref.: 0090SF-K12-1010

## HIGH CLADDING

Ref.: 0090SF-C310  
Length: 3 m

Ref.: 0090SF-C610  
Length: 6 m

## HIGH CLADDING

### PRESS-IN

#### Verres : 06.06

Ref. : 009JOINT0606

#### Verres : 08.08

Ref. : 009JOINT0808

#### Verres : 10.10

Ref. : 009JOINT1010

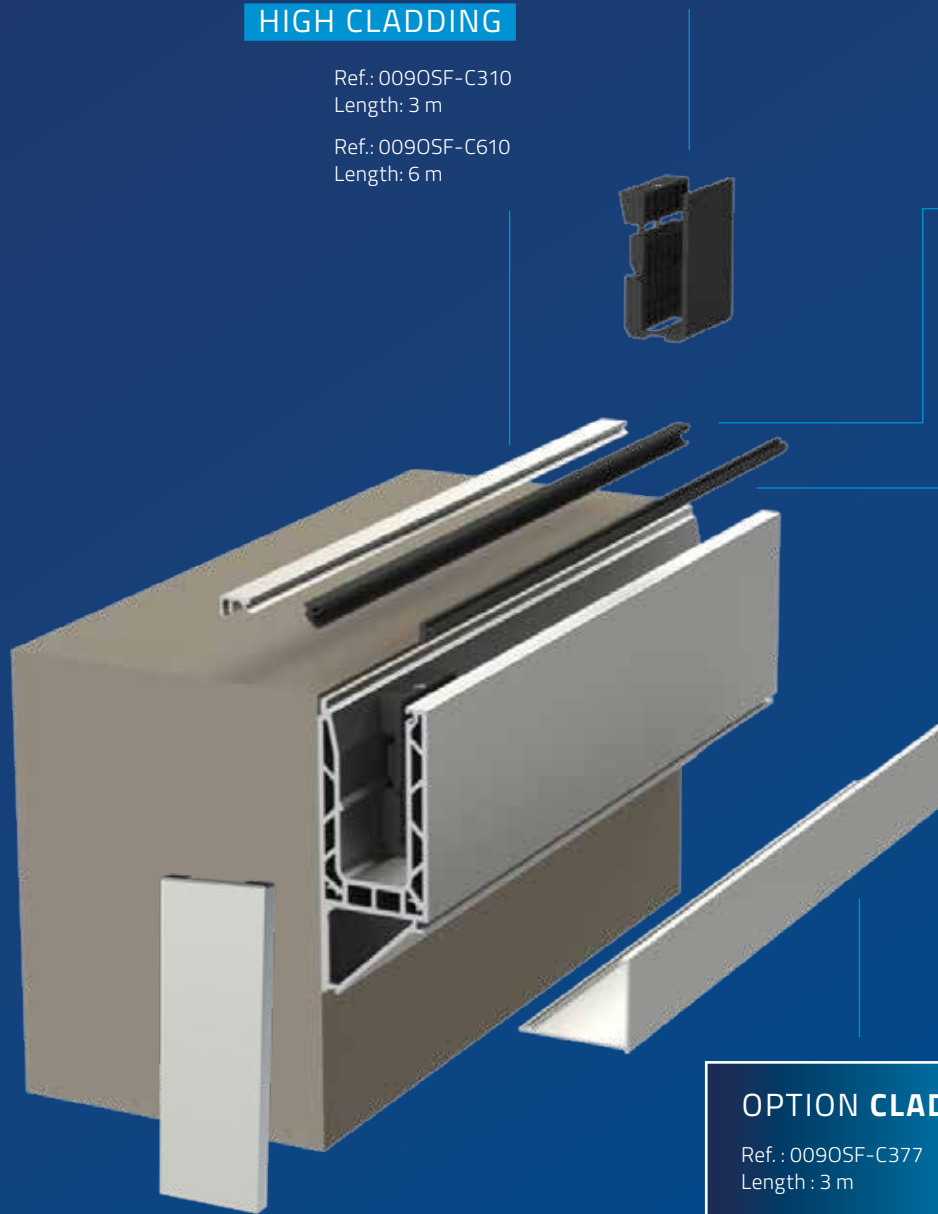
### SNAP-FIT



Ref. : 009JC0809A-N



Ref. : 009JC0309A-N



## OPTION CLADDING

Ref. : 0090SF-C377  
Length : 3 m

Ref. : 0090SF-C677  
Length : 6 m

## END CAP

Ref. : 0090SF-CEC73D

Ref. : 0090SF-CEC73G



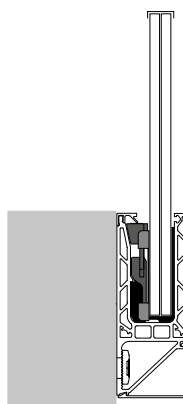
## CUSTOMIZE YOUR FINISHES



**ANODIZED ALUMINUM**  
Code : 01



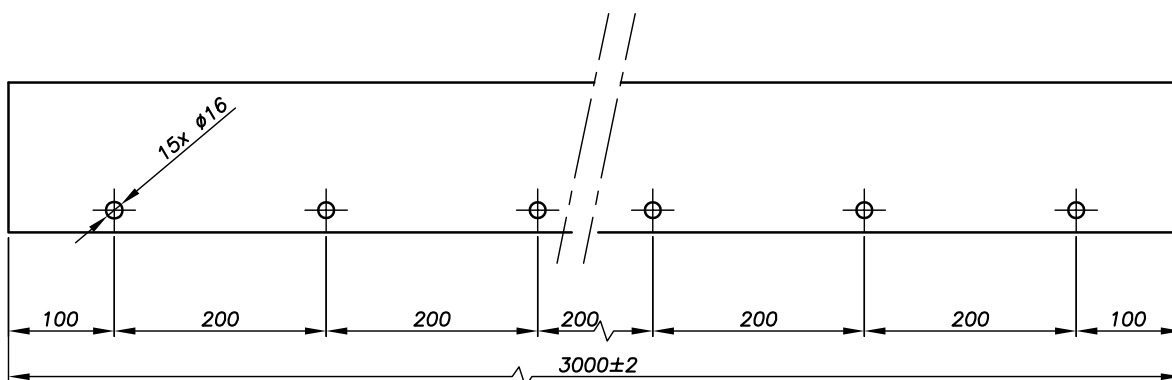
**RAL**  
Code : 03



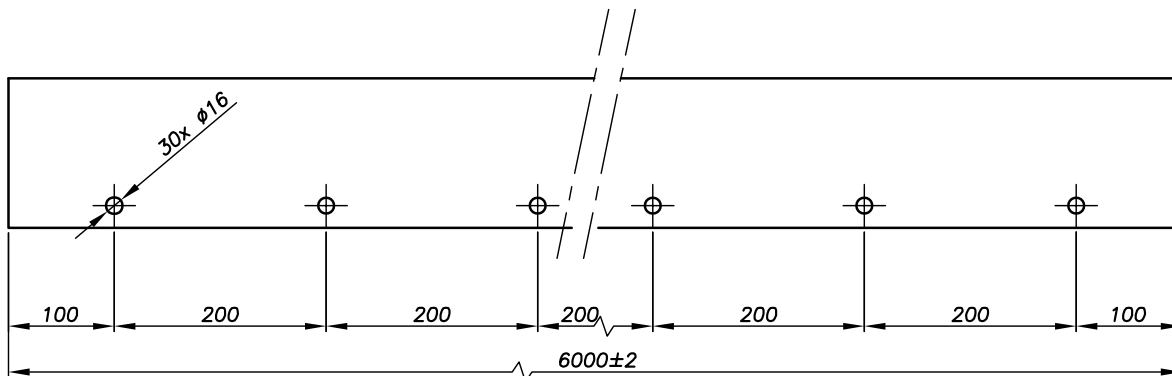
OFFSET LATERAL MOUNTING

TECHNICAL PLANS

► 3 000 mm - Reference **0090SF-R73**



► 6 000 mm - Reference **0090SF-R83**









HANDRAILS

CHOOSE **your style**

Maintain an elegant and successful design of your railing by opting for a handrail that will give contrast to your project.

In addition to the aesthetic side, **its primary function** is **the protection of the top of the glass** which is the most fragile part.

 **Our EXPERT advice:** The installation of an aluminum or stainless steel handrail allows an easy alignment of the glass panels.



GLASS CLAMPED HANDRAIL  
**Fixing between glasses**

Réf. 00101030-1218

**ITS ADVANTAGES:**

- Allows you to attach a handrail
- Easy to assemble
- Very resistant



CLAMP BETWEEN GLASS

Réf. 009REL5060-12-9/16

 **ASK FOR OUR BROCHURE ON our complete range of handrails.**





**WOOD,  
an authentic choice**

**An ecological material and natural.**

**ITS ADVANTAGES:**

- Noble and natural material
- Easy change of color (varnish or paint)
- Warm atmosphere

Réf. 0010202410240W10

*Other references are available*



**ALUMINUM,  
a modern look**

**The right finish for different project styles.**

**ITS ADVANTAGES:**

- Resistant and durable material.
- More sober effect.
- Very little maintenance (Sadev cleaning kit).

Réf. 0010201308250

*Other references are available*



**STAINLESS STEEL,  
a contemporary style**

**Design and refined, stainless steel is recognized for its great durability.**

**ITS ADVANTAGES:**

- Solid.
- Resistant to temperature variations.
- Anti-corrosion.
- Very low maintenance (Sadev cleaning kit).

Réf. 0010201410300A4

*Other references are available*



## FIXINGS

We can provide you with assistance in sizing or justification. Do not hesitate to contact us.  
*Non-exhaustive list, other fasteners are available upon request.*

### CONCRETE SCREW

*Very high performance for permanent fastening into concrete.*



Ref. 09FIX-VBAZ-10

Concrete screw 10x90  
 Zinc-plated steel  
 50 pieces



Ref. 09FIX-VBAZ-12

Concrete screw 12x110  
 Zinc-plated steel  
 20 pieces



Ref. 09FIX-VBA4-10

Concrete screw 10x90  
 Stainless steel A4  
 50 pieces



Ref. 09FIX-VBA4-12

Concrete screw 12x110  
 Stainless steel A4  
 20 pieces

### DOWELS

*High performance - Galvanised steel and A4 stainless steel*



Ref. 09FIX-CDAZ-10

Socket dowel 10 x 70  
 Zinc plated steel  
 50 pieces



Ref. 09FIX-CDAZ-12

Sleeve dowel 12 x 90  
 Zinc plated steel  
 50 pieces



Ref. 09FIX-CDA4-10

Socket dowel 10 x 70  
 Stainless steel A4  
 50 pieces



Ref. 09FIX-CDA4-12

Socket dowel 12 x 90  
 Stainless steel A4  
 50 pieces

### ANCHOR BOLT

*For high demand. Heavy loads can be fixed in cracked concrete.*



Ref. 09FIX-GAAZ-10

Anchor bolt 10 x 95  
 Galvanised steel  
 50 pieces



Ref. 09FIX-GAAZ-12

Anchor bolt 12 x 110  
 Galvanised steel  
 20 pieces



Ref. 09FIX-GAA4-10

Anchor bolt 10 x 95  
 Stainless steel A4  
 50 pieces



Ref. 09FIX-GAA4-12

Anchor bolt 12 x 110  
 Stainless steel A4  
 20 pieces

## ACCESSORIES FOR MOUNTING

### CHEMICAL SEALANT KIT



Ref. 09FIX-SCAZ-10

Resin cartridge - chemical sealant M10 dowel galvanised steel  
Hexagonal head screw M10x30 - Steel Washer Int. Ø10 - Ext. Ø 22 - Ht 02 - Steel



Ref. 09FIX-SCA4-10

Resin cartridge - chemical sealant M10 dowel A4 stainless steel  
Hexagon head screw M10x30 - Stainless steel A4 Washer - Int. Ø10 - Ext. Ø 22 - Ht 02 Stainless steel A4

Ref. 09FIX-SCAZ-12

Resin cartridge - chemical sealant M12 dowel galvanised steel  
Hexagon head screw M12x30 - Steel Washer - Int. Ø12 - Ext. Ø 27 - Ht 02.5 - Steel

Ref. 09FIX-SCA4-12

Resin cartridge - chemical sealant M12 dowel A4 stainless steel  
Hexagon head screw M12x30 - A4 stainless steel Washer - Int. Ø12 - Ext. Ø 27 - Ht 02.5 Stainless steel A4



Ref. 09ACC-FIX-PI-SC

Manual chemical sealant gun



Ref. 09ACC-ECOUV10

Concrete swab - Ø10

Ref. 09ACC-ECOUV12

Concrete swab - Ø10 - Ø12



Ref. 09ACC-SOUF

Blow pump cleaning tool for drilling

Ref. 09ACC-ECOUV16/18

Concrete swab - Ø10 Ø16 - Ø18

## SCREWDRIVER & BIT



Ref. 007-TRVS-2NM

Torque screwdriver  
(handle + bit)



Ref. 007-TORX-T20/150

Torx bit  
Size 25 - Tightening 2 Nm



Violet ring  
Tightening 2 Nm

Tempered / hardened glass

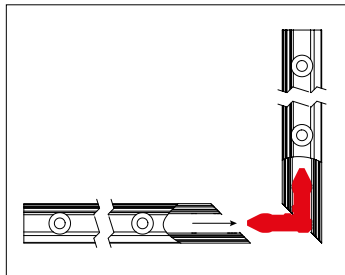
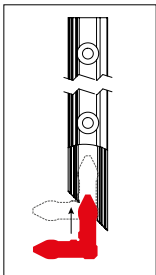
Using the torque screwdriver is required to receive the minimum two year warranty.

## CONNECTOR 90°



Ref. : 009OSF-CONNEC90

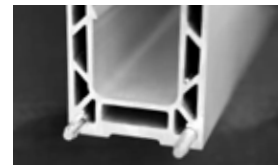
Aluminium  
Dimensions : 90 x 90



## ALIGNMENT PINS FOR PROFILE



Ref. : 007PIN-06-30



Used to align the profiles and ensure the desired performance of the system.

## SPACERS



Ref. 009OSF-ESPAC-0606

Glass : 06.06

Ref. 009OSF-ESPAC-0808

Glass : 08.08

Ref. 009OSF-ESPAC-1010

Glass : 10.10



Spacers for use between glass panels - thickness 5 mm - Black plastic  
Fixing: to be glued

## LEVELING TOOL

*This tool allows for easy leveling of the profile.*



Ref. 009OSF-OUTINIV2

Sold in pairs



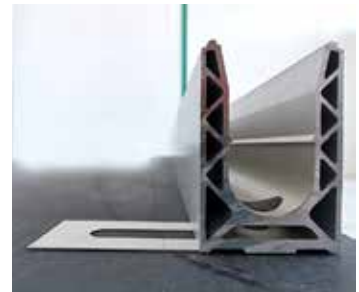
## SHIMS

*Used to level the profile on uneven surfaces.*



Ref. : 009SHIM055-10-01

Ref. : 009SHIM-K10-10-01



## GLASS HEIGHT ADJUSTMENT WEDGE

*The adjusting wedge ensures precise alignment of the top edge of the glass.*



Ref. : 009OSF-K10RHT1010

Glass thickness up to 1010  
Set of 10 pieces

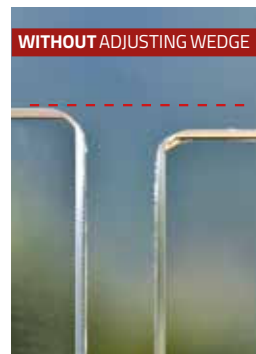
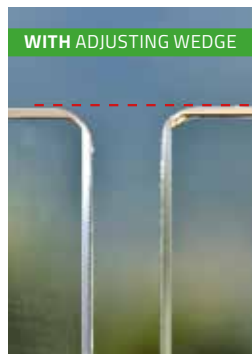


Ref. : 009OSF-K10RHT0808

Glass thickness up to 0808  
Set of 10 pieces



### A PERFECT ALIGNMENT!





We Build the Invisible

CLASSIC

DECOR

CONSTRUCT

SABCO

SWIMSIDE

Member of  
**SIMONSWERK  
GROUP**

Tél. +33(0) 4 50 08 39 00 | [info@sadev.com](mailto:info@sadev.com)  
76, chemin des Poses - 74330 Poisy (France)

[sadev.com](http://sadev.com)  
follow us on

