



ONE SIDE 2.0 TOOL

The 3 in1 One Side 2.0 tool and its
3 functions:

①

The insertion of the
wedges inside the rail.

②

The glass thickness
control

③

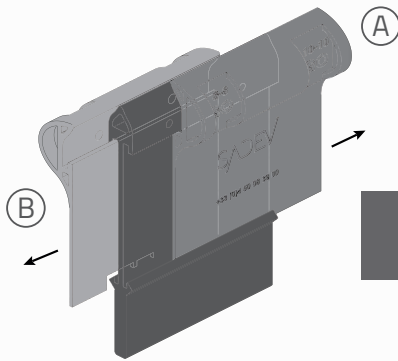
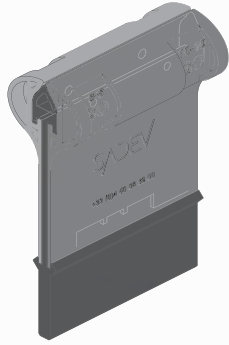
To remove
the wedges.



SABCO®

BALUSTRADE SYSTEM

1 The complete tool is used to put the wedges in the rail.



To get the 3 parts of the tool, simply drag them.



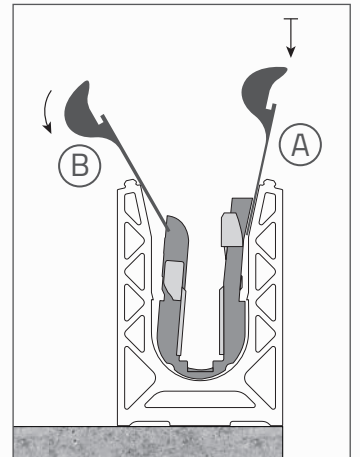
2 The (A) and (B) parts are used for the glass thickness control.

The «GO» and «NO-GO» notches allow you to check if the thickness of the glass fits to the wedge (we have two models of wedges for two glass thicknesses 8.8 and 10.10, to be checked before installation).

8-8 GO	10-10 GO	✓ The edge of the glass is the size of the notch.
		✗ The edge of the glass is not the dimensions of the notch. (it's not the right thickness).
8-8 NO GO	10-10 NO GO	✓ The edge of the glass is the size of the notch.
		✗ The edge of the glass is not the dimensions of the notch. (it's not the right thickness).

3 Removal of the wedges with ease.

Parts A and B can be used to remove the wedges with ease, allowing maintenance to be carried out in the event of a broken glass.



Take a break!

You've finished installing your guardrail...

All you have to do is use the ONE SIDE 2.0 tool to quench your thirst!

*Alcohol abuse is dangerous for your health.
Drink in moderation.*



Find detailed explanations on the video installation instructions.