

SABCO®

BALUSTRADE SYSTEM

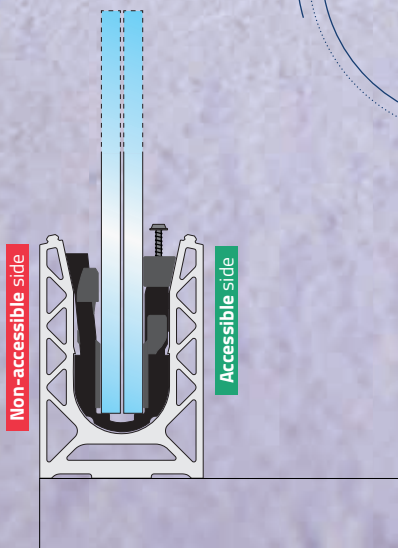
ONE SIDE 2.0



10 to 15 % less laying time compared to the products on the market.

- + Easier and faster assembly
- + Different adjustment possibilities
- + Save on your build costs
- + Less numbers of wedges per profile
- ▶ Tested and validated

Adjustment of the 3 clamping screws on the accessible side.



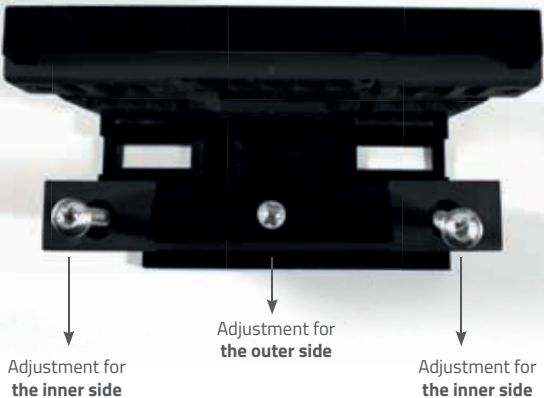
ONE SIDE 2.0

Evolution of accessibility with the ONE SIDE 2.0 wedge by Sadev



We Build the Invisible

Tightening on only one side of the profile **allowing installation and adjustment only from the inside.**



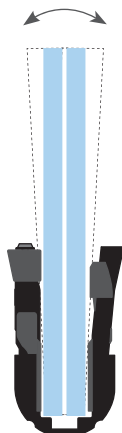
INSTALL,
IT FITS!

AUTO-AJUST SYSTEM

Glass adjustment

SABCO wedges have been developed to increase the durability and resistance of the system, while optimising the fit of the glass.

An adjustment of + or - 15 mm (for 1 metre) is then possible.



ONE SIDE 2.0 WEDGE

Ref. 007AKIT08CAL1S

TESTED & APPROVED

TECHNICAL DATA

Dimension	L. 110 x l. 45 x h. 88,5mm
Number of wedges	3 per meter
Packaging	8 wedge per box

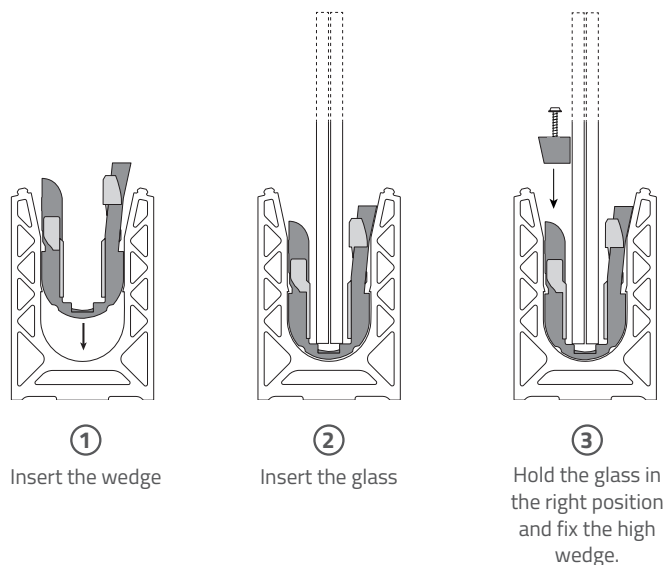
Numbers inscribed on the wedges	Reference	Glass composition	Glazing thickness [min.; max.]
12	007AKIT08 CAL1S0808	8.8	16,2 to 17,6
11	007AKIT08 CAL1S1010	10.10	20,3 to 21,9
10	007AKIT08 CAL1S1212*	12.12	24,2 to 26,1

* Compatible exclusively with rail 18

CERTIFICATIONS

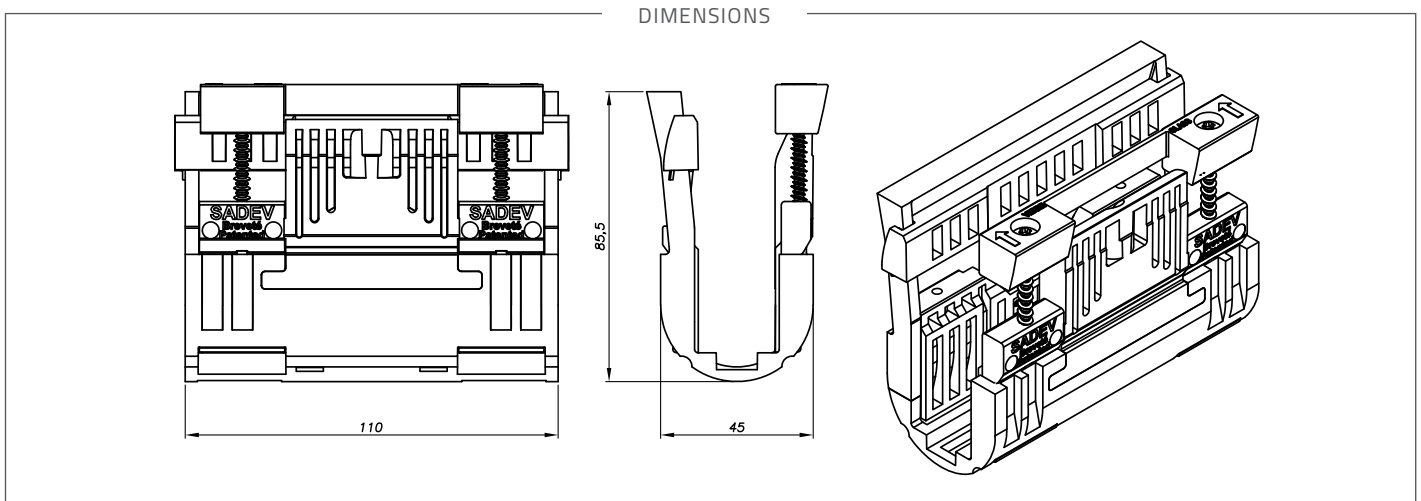


Assembly in only 3 steps!

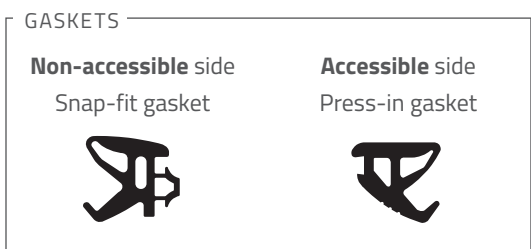
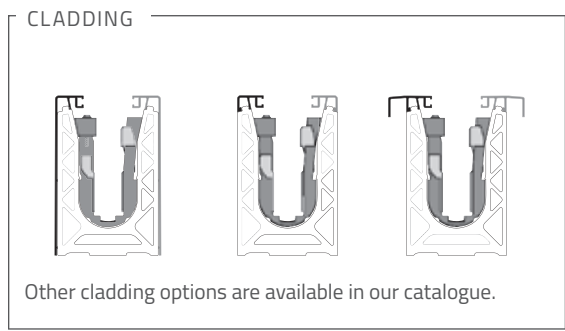
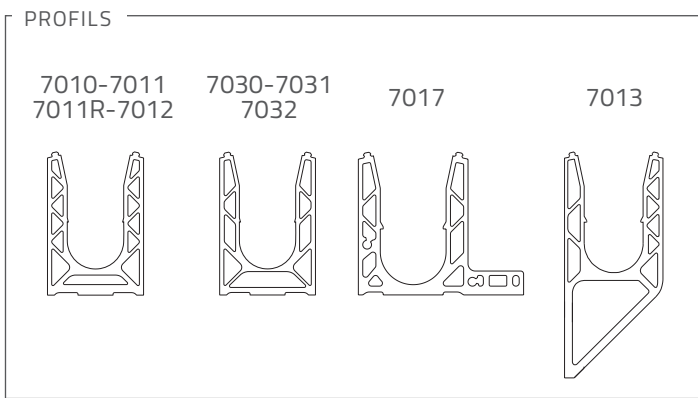




TECHNICAL DRAWINGS



COMPATIBILITY OF THE ONE SIDE 2.0 WEDGE



SCREWDRIVER + TORX BIT



PACK SCREWDRIVER + TORX BIT

Ref.: 007-TRVS-2NM

Torx bit size: T25

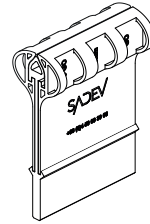
Tightening: 2mn

It allows tightening the glass in the wedges.



Order minimum 1 for tightening conformity

ASSEMBLY & DISASSEMBLY SET

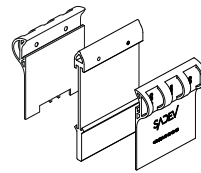


ASSEMBLY & DISASSEMBLY SET

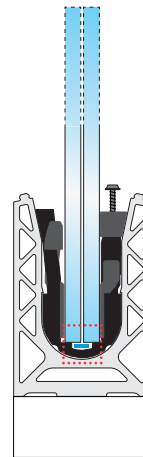
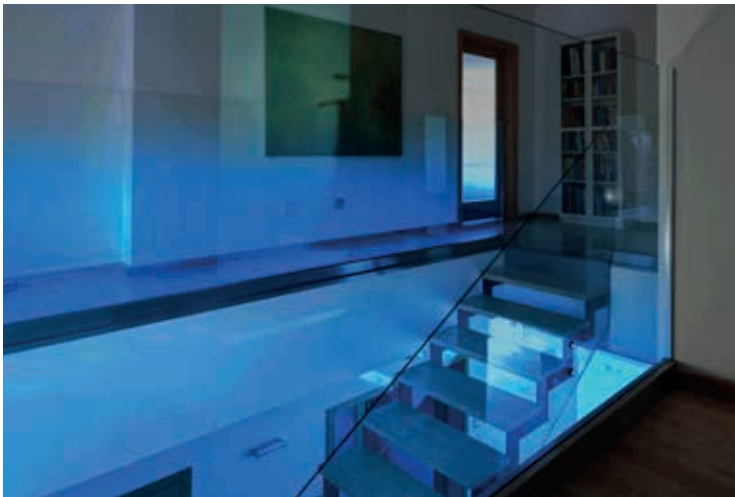
Ref.: 007-OUT-1S



This assembly tool is an help to fit the wedges in the balustrade.



*Easy to disassembly!
This tool is divided into 3 parts to allow you to remove the wedges.*



The led headband is placed under the wedge.



NEUTRAL WHITE (L. 5m)

Ref.: 007-LED-BLC-NTR-5M



WARM WHITE (L. 5m)

Ref.: 007-LED-BLC-CHD-5M



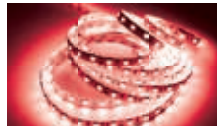
COOL WHITE (L. 5m)

Ref.: 007-LED-BLC-FRD-5M



GREEN (L. 5m)

Ref.: 007-LED-VERT-5M



RED (L. 5m)

Ref.: 007-LED-ROUGE-5M



YELLOW (L. 5m)

Ref.: 007-LED-JAUNE-5M



BLUE (L. 5m)

Ref.: 007-LED-BLEU-5M



POWER (60 W)

Ref.: 007-ALIM-230/24-60

POWER (150 W)

Ref.: 007-ALIM-230/24-150