

DECOR

WALL POINT FIXING

SADEV has a wide range of wall point fixing that offer various applications.

With SADEV wall point fixing carry out all your fittings: reception desks, wall cladding, signage, handles, and many others.

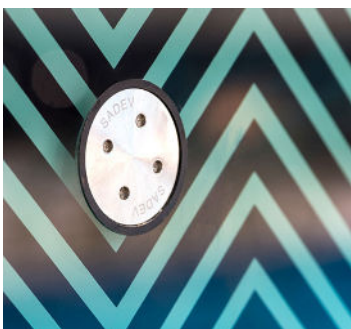


We Build the Invisible

76 Chemin des Poses | 74330 POISY | FRANCE |
Tél. : +33 (0)4 50 08 39 00 | info@sadev.com | www.sadev.com


The advantages of these solutions:

- Different aesthetic solutions according to your project, you have the choice between cylindrical screws with a visible tip or countersunk screws for a finish integrated into the glazing.
- A wide range of configurations with multiple ranges of distance between the support and the glazing, varying from 3 to 100mm as standard (see more customised).



STANDARD WALL POINT FIXING

TECHNICAL DATA

Height	3mm, 14mm, 20mm, 30mm, 40mm, 50mm, 60mm, 70mm, 80mm, 100mm
Materials	Stainless steel 304 & 316 (option).
Glass thickness	From 8 to 22mm <i>(attention the size of the glass to an incidence on the height spacers, check with the sales department).</i>
Finish	Brush effect or bead-blasted, black, bronze, gold (on request)
	
Screws (cabocons)	Countersunk (Ø28 & Ø36) or cylindrical (Ø30 & Ø40).


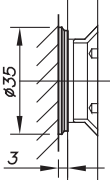
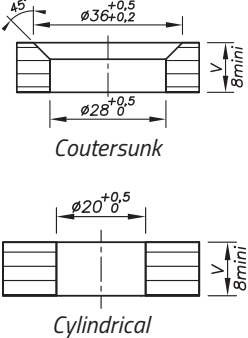

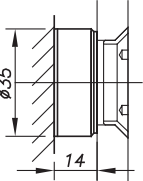
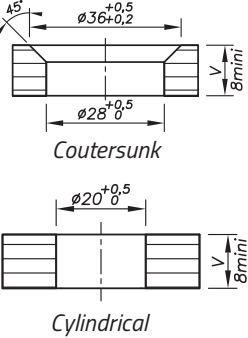

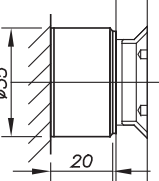
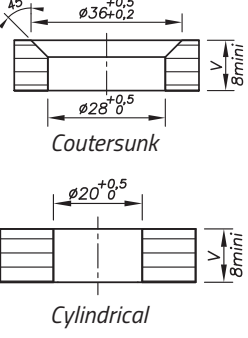

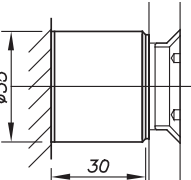
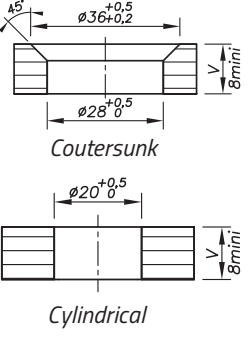


SPECIALS WALL POINT FIXING


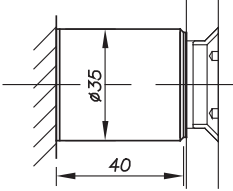
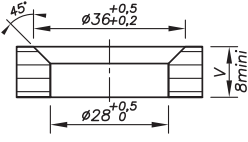
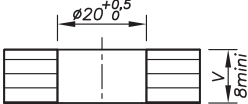

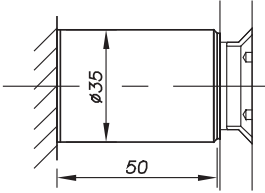
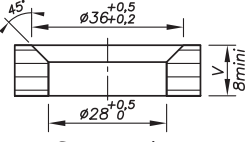
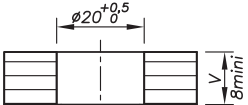

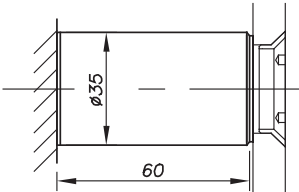
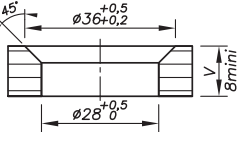
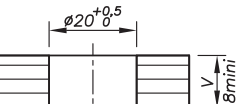

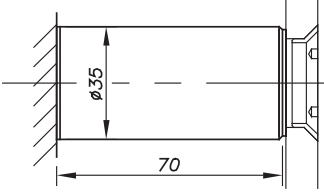
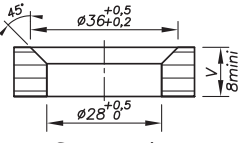
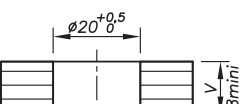
TECHNICAL DATA

Height mm (H)	H : 11 / Ø16	H : 15 / Ø30	H : 15 / Ø23
Diameter (Ø)	H : 15 / Ø40	H : 30 / Ø40	
Materials	Stainless steel 304 & 316 (option).		
Glass thickness	From 6 to 30mm <i>(attention the size of the glass to an incidence on the height spacers, check with the sales department).</i>		
Finish	Brush effect or bead-blasted		
Screws (cabocons)	Countersunk or cylindrical		


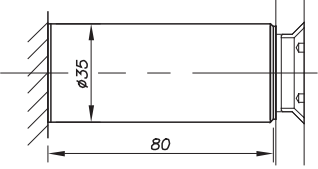
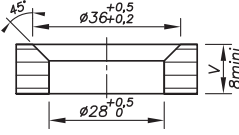
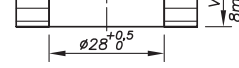
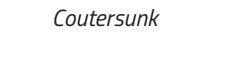
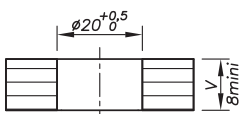

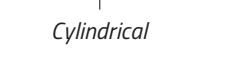
Standards wall point fixing

Photo	Dimensions	Glass drilling	Glass thickness	Reference
 <p>Height 3mm</p>			8 mm	01 00 20 07 11 08
			10 mm	01 00 20 07 11 10
			8 mm	01 00 20 07 24 11
			10 mm	01 00 20 07 24 13
 <p>Height 14mm</p>			8 mm	01 00 30 07 11 08
			10 mm	01 00 30 07 11 10
			12 mm	01 00 30 07 11 12
			8 mm	01 00 30 07 24 11
			10 mm	01 00 30 07 24 13
			12 mm	01 00 30 07 24 15
 <p>Height 20mm</p>			8 12,76 mm	01 10 00 06 11 10
			12,76 17,52 mm	01 10 00 06 11 16
			19 22 mm	01 10 00 06 11 24
			8 12,76 mm	01 10 00 06 24 20
			12,76 17,52 mm	01 10 00 06 24 24
			19 22 mm	01 10 00 06 24 28
 <p>Height 30mm</p>			8 12,76 mm	01 10 01 FX 06 11 10
			12,76 17,52 mm	01 10 01 FX 06 11 20
			19 22 mm	01 10 01 FX 06 11 26
			8 12,76 mm	01 10 01 FX 06 24 20
			12,76 17,52 mm	01 10 01 FX 06 24 26
			19 22 mm	01 10 01 FX 06 24 32


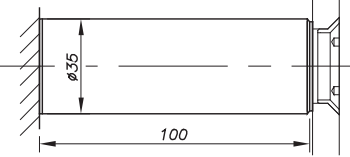
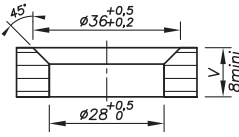
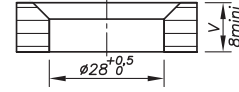
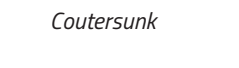
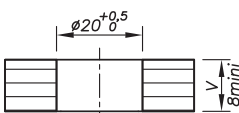

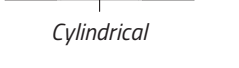
Standards wall point fixing

Photo	Dimensions	Glass drilling	Glass thickness	Reference
 <p>Kg 50</p>		 <p><i>Coutersunk</i></p>	8 → 12,76 mm	01 10 02 FX 06 11 10
		12,76 → 17,52 mm	01 10 02 FX 06 11 20	
		19 → 22 mm	01 10 02 FX 06 11 26	
		 <p><i>Cylindrical</i></p>	8 → 12,76 mm	01 10 02 FX 06 24 20
12,76 → 17,52 mm	01 10 02 FX 06 24 26			
<p>Height 40mm</p>				
 <p>Kg 50</p>		 <p><i>Coutersunk</i></p>	8 → 12,76 mm	01 10 03 FX 06 11 10
		12,76 → 17,52 mm	01 10 03 FX 06 11 20	
		19 → 22 mm	01 10 03 FX 06 11 26	
		 <p><i>Cylindrical</i></p>	8 → 12,76 mm	01 10 03 FX 06 24 20
12,76 → 17,52 mm	01 10 03 FX 06 24 26			
<p>Height 50mm</p>				
 <p>Kg 50</p>		 <p><i>Coutersunk</i></p>	8 → 12,76 mm	01 10 04 FX 06 11 10
		12,76 → 17,52 mm	01 10 04 FX 06 11 20	
		19 → 22 mm	01 10 04 FX 06 11 26	
		 <p><i>Cylindrical</i></p>	8 → 12,76 mm	01 10 04 FX 06 24 20
12,76 → 17,52 mm	01 10 04 FX 06 24 26			
<p>Height 60mm</p>				
 <p>Kg 50</p>		 <p><i>Coutersunk</i></p>	8 → 12,76 mm	01 10 05 FX 06 11 10
		12,76 → 17,52 mm	01 10 05 FX 06 11 20	
		19 → 22 mm	01 10 05 FX 06 11 26	
		 <p><i>Cylindrical</i></p>	8 → 12,76 mm	01 10 05 FX 06 24 20
12,76 → 17,52 mm	01 10 05 FX 06 24 26			
<p>Height 70mm</p>				

Standards wall point fixing


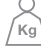
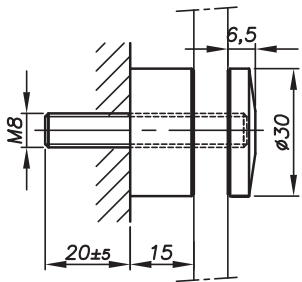
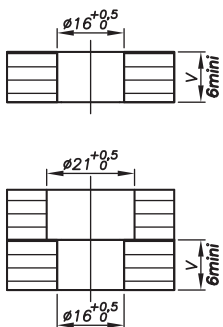


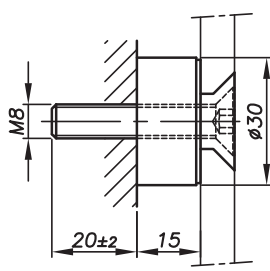
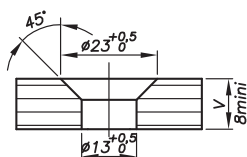


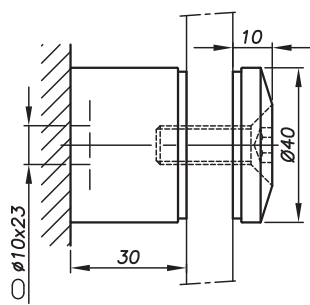
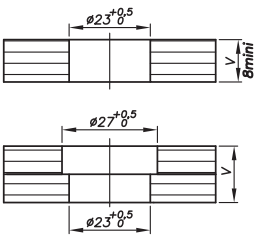
Photo	Dimensions	Glass drilling	Glass thickness	Reference
 <p>50 Kg</p>	 <p>80</p>	 <p>Coutersunk</p>	8 → 12,76 mm	01 10 06 FX 06 11 10
		 <p>Coutersunk</p>	12,76 → 17,52 mm	01 10 06 FX 06 11 20
		 <p>Coutersunk</p>	19 → 22 mm	01 10 06 FX 06 11 26
		 <p>Cylindrical</p>	8 → 12,76 mm	01 10 06 FX 06 24 20
		 <p>Cylindrical</p>	12,76 → 17,52 mm	01 10 06 FX 06 24 26
		 <p>Cylindrical</p>	19 → 22 mm	01 10 06 FX 06 24 32

Height **80mm**


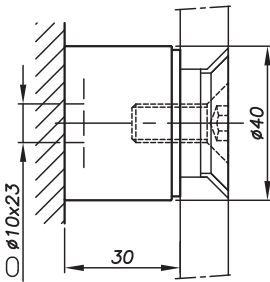
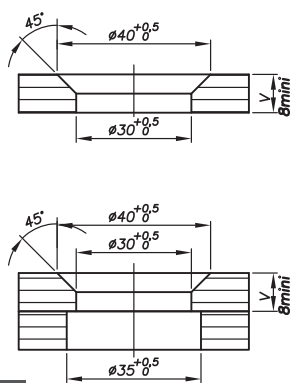
 <p>50 Kg</p>	 <p>100</p>	 <p>Coutersunk</p>	8 → 12,76 mm	01 10 07 FX 06 11 10
		 <p>Coutersunk</p>	12,76 → 17,52 mm	01 10 07 FX 06 11 20
		 <p>Coutersunk</p>	19 → 22 mm	01 10 07 FX 06 11 26
		 <p>Cylindrical</p>	8 → 12,76 mm	01 10 07 FX 06 24 20
		 <p>Cylindrical</p>	12,76 → 17,52 mm	01 10 07 FX 06 24 26
		 <p>Cylindrical</p>	12,76 → 17,52 mm	01 10 07 FX 06 24 32

Height **100mm**


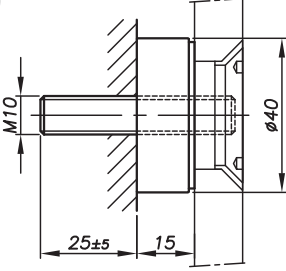
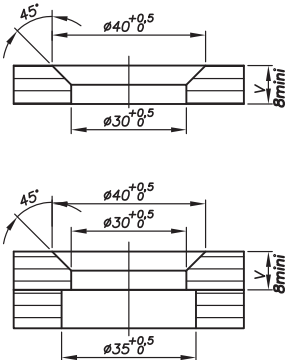
Specials wall point fixing

Photo	Dimensions	Glass drilling	Glass thickness	Reference
 <p> 50</p>			6 → 7,52 mm	01 L3030-M8-0607
			8 → 10,76 mm	01 L3030-M8-0810
			11 → 15 mm	01 L3030-M8-1115
			16 → 20,76 mm	01 L3030-M8-1620
			21 → 26 mm	01 L3030-M8-2126
<p>Diameter 30mm - Height 15mm</p>				
 <p> 50</p>			8 → 17,52 mm	01 L 23 30 M8
<p>Diameter 23mm (countersunk) - Height 15mm</p>				
 <p> 150</p>			8 → 11 mm	01 L 40 40 M10-0811
			12 → 15 mm	01 L 40 40 M10-1215
			16,76 → 20 mm	01 L 40 40 M10-1620
			20,76 → 24 mm	01 L 40 40 M10-2024
			24,76 → 30 mm	01 L 40 40 M10-2430
<p>Diameter 40mm (cylindrical) - Height 30mm</p>				


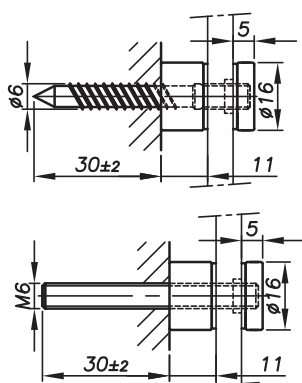
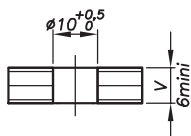
Specials wall point fixing

Photo	Dimensions	Glass drilling	Glass thickness	Reference
			8 → 11 mm	01 SN4040-M10-0811
			12 → 15 mm	01 SN4040-M10-1215
			16.76 → 20 mm	01 SN4040-M10-1620
			20.76 → 24 mm	01 SN4040-M10-2024
			24.76 → 30 mm	01 SN4040-M10-2430

Diameter **40mm** (countersunk) - Height **30mm**

			8 → 10.76 mm	01 S4040-M10-0810
			11 → 15 mm	01 S4040-M10-1115
			16 → 20.76 mm	01 S4040-M10-1620
			21 → 26 mm	01 S4040-M10-2126

Diameter **40mm** (countersunk) - Height **15mm**

			6 → 8 mm	01 L1616-M6-B
				01 L1616-M6

Diameter **16mm** (cylindrical) - Height **11mm**