



We Build the Invisible



We Build the Invisible

CLASSIC DECOR CONSTRUCT VARIANCE P
SABCO OSF ROMEO SWIMSIDE

STANDOFF POINTS
GUARDRAIL
000110



© Document émis par la société Sadev - Reproduction, modification et communication interdites sans autorisation. Crédits photos © SADEV - DOCBRO-ROMEO-FR-260922

Member of
**SIMONSWERK
GROUP**

Tél. +33(0) 4 50 08 39 00 | info@sadev.com
76, chemin des Poses - 74330 Poisay (France)

sadev.com
follow us on



Member of
**SIMONSWERK
GROUP**

DO YOU KNOW
ALL THE ADVANTAGES
of our 000110?

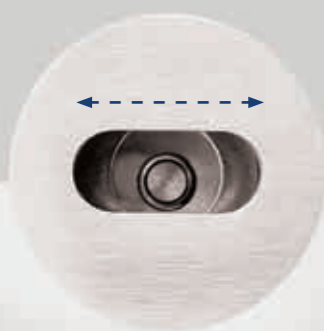


3 ADJUSTMENT SYSTEMS FOR MOUNTING ULTRA-EASY

1st SETTING

Position the fixing point

Horizontal adjustment: + or - 10 mm



2nd SETTING

Adjusting glass plumb

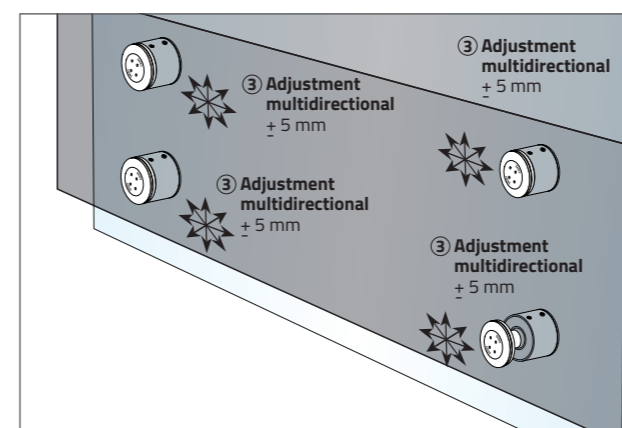
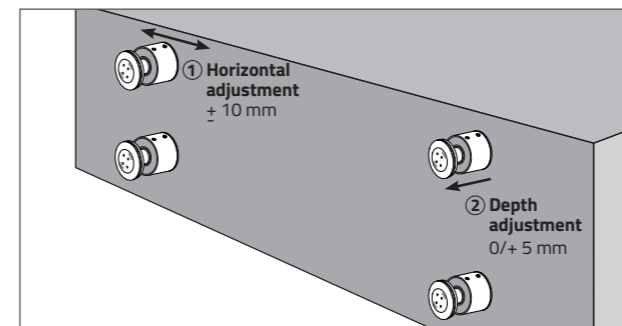
Depth adjustment: + or - 5 mm



3rd SETTING

Fixing glass the first time

Multidirectional adjustment (eccentric): + or - 5 mm



STANDOFF POINTS

Ref. **000110** (Stainless steel 304)

Ref. **000110A4** (Stainless steel 316)

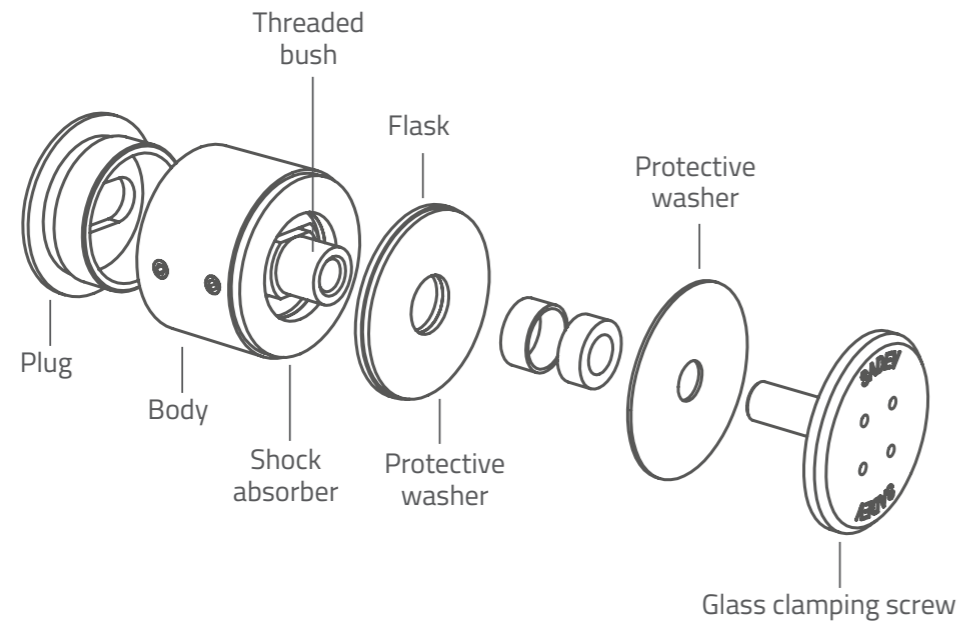
TECHNICAL DATA



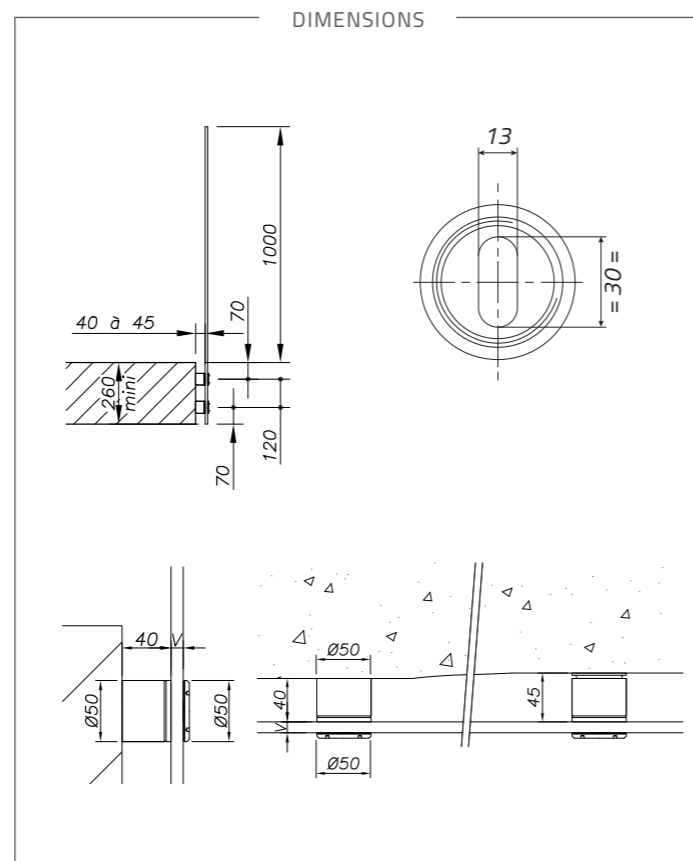
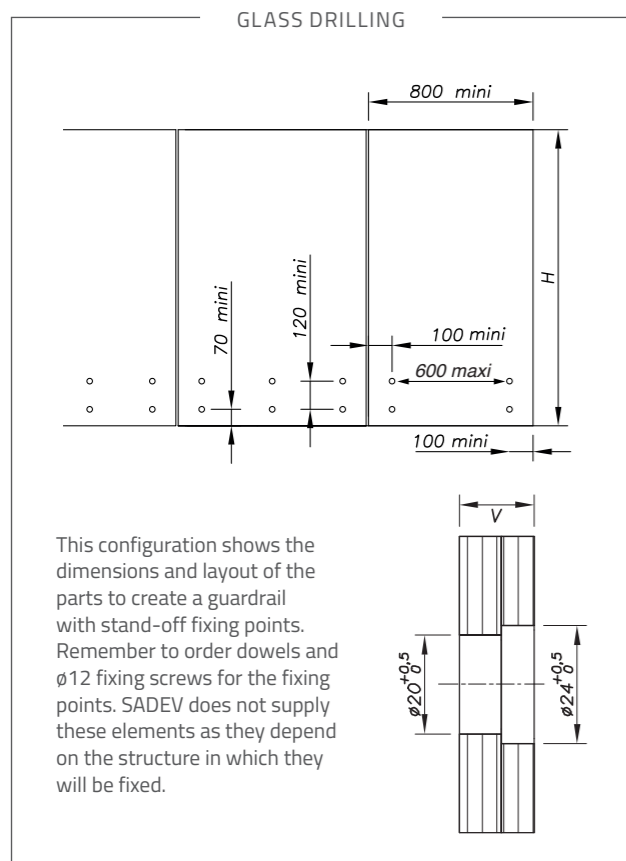
SPECIFICITY	Dual glass adjustment system
Diameter	50mm
Heigh	40mm to 45mm
Weight	465 gr
Subject	Stainless steel 304 & 316
Tightening the glass screw	Hardened monolithic = Mini 15 N.m Tempered laminate
Type of glass	Laminated glass - tempered type 8 /8, 10/10, 12/12 or 15/15 according to configuration
Screws	Socket head screw ø12. Dowel to be defined according to nature of the slab or support. Excluding SADEV supply.
Screws for glass	Cylindrical ø50
Glass dimension approved	Height 1 260 mm Lenght 1 000 to 1 400 mm
Glass thickness	17.52 mm 21.52 mm 25.52 mm 31.52 mm

CERTIFICATIONS

- Test report N° BEB1.9.4027-9
- Test report N° BEB1.9.4027-15
- Test report N° BEB1.9.4027-16

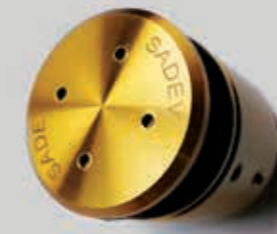


TECHNICAL DRAWINGS



AN ATTRACTIVE
MODERN
FINISH

For indoor use: 304 stainless steel



Gold
Ref. 000110OR



Champagne
Ref. 000110CH



Copper
Ref. 000110CU



Stainless steel brushed
Ref. 000110



Gold brushed
Ref. 0001100-RB



Champagne brushed
Ref. 000110CH-B



Copper brushed
Ref. 000110CU-B



Black
Ref. 000110N





STANDOFF POINTS - Height 30 mm
Ref. 000130

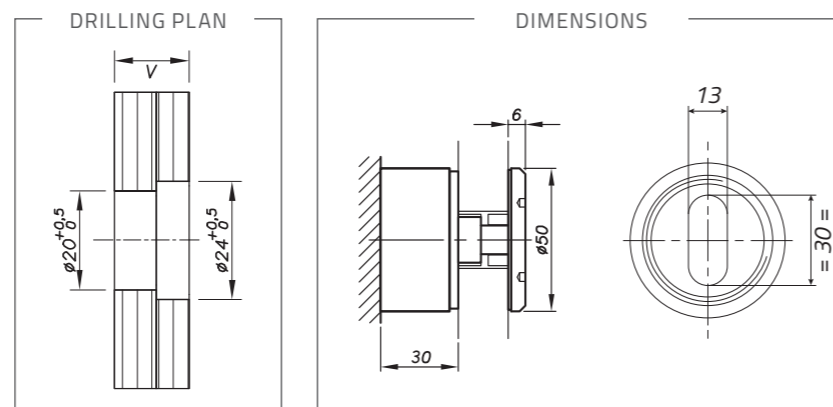


Black finish

TECHNICAL DATA

SPECIFICITY Adjustment + or - 10 mm

Diameter	50 mm	
Height	30 mm	
Reference	Material	Glass thickness
000130	Stainless steel 304	17.52 > 21.52 mm
000130-25	Stainless steel 304	22 > 25.52 mm
000130N	Stainless steel 304 Black finish	17.52 > 21.52 mm
000130A4	Stainless steel 316	17.52 > 21.52 mm



STANDOFF POINTS - Height 20 mm
Ref. 000120



Black finish

TECHNICAL DATA

SPECIFICITY Adjustment + or - 10 mm

Diameter	50 mm	
Height	20 mm	
Reference	Material	Glass thickness
000120	Stainless steel 304	17.52 > 21.52 mm
000120-25	Stainless steel 304	22 > 25.52 mm
000120N	Stainless steel 304 Black finish	17.52 > 21.52 mm
000120A4	Stainless steel 316	17.52 > 21.52 mm

